

DAKOTA™ 2007 TURF TENDER ILLUSTRATED PARTS MANUAL



INTRODUCTION

To ensure optimum performance and safety, always purchase genuine **DAKOTA** replacement parts and accessories. NEVER USE “WILL-FIT” REPLACEMENT PARTS AND ACCESSORIES MADE BY OTHER MANUFACTURERS. Using either inappropriate or unapproved replacement parts and accessories may result in progressive damage to the Turf Tender and voids the warranty of the **DAKOTA** Turf Tender.

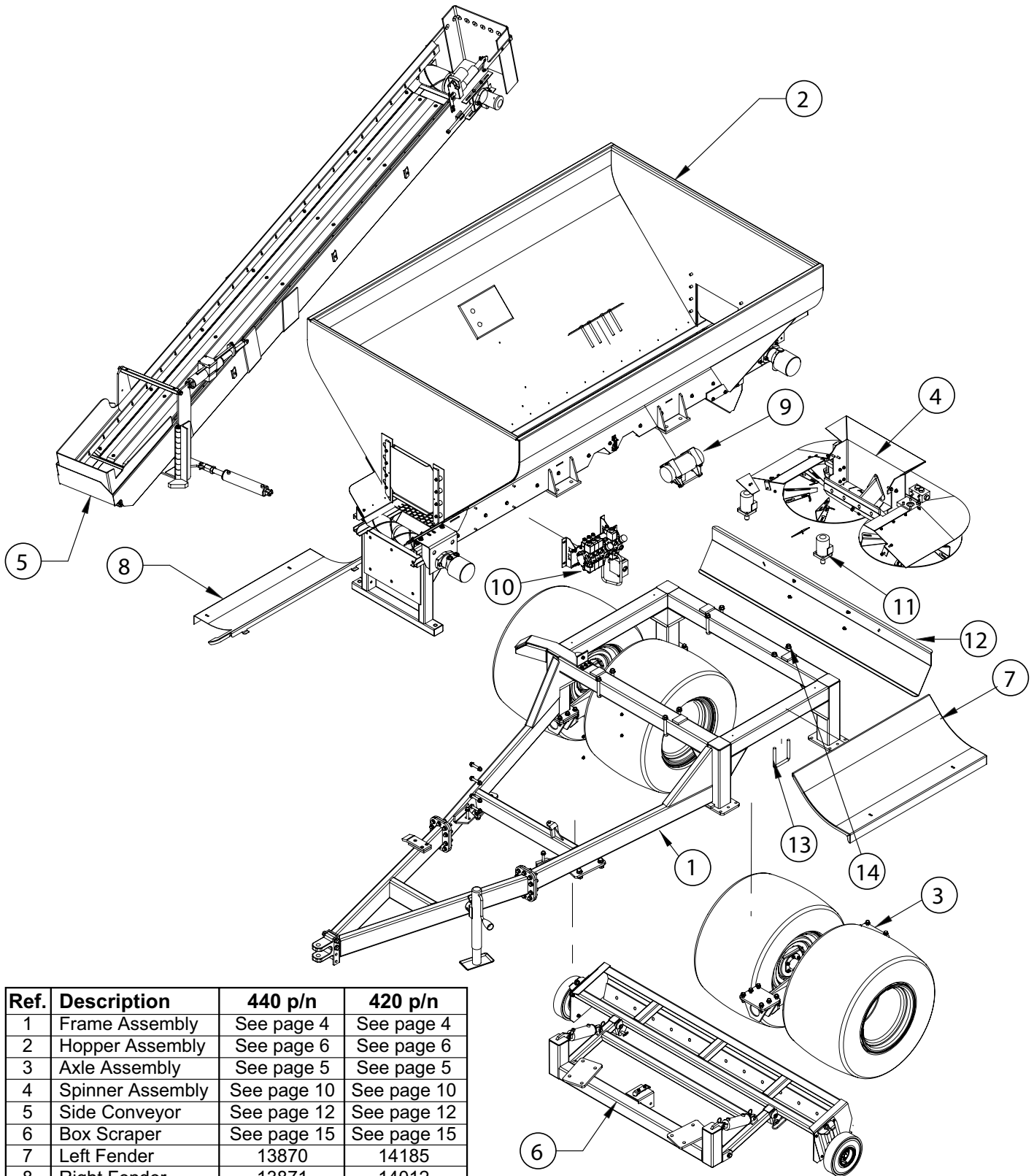
This manual provides a listing to the parts and assemblies that are available as replacement parts. For the most part, common hardware is not listed in this manual. Be sure, however, that when replacement of hardware is necessary, to replace with the same length, diameter, and grade.

The illustrations used in this Parts manual are for reference to replacement parts only. This manual is not to be used for assembly. If in need of replacement parts or in need of a replacement part not called out in this manual, contact an authorized Dakota dealer. To locate a local dealer, go to www.dakotapeat.com.

TABLE OF CONTENTS

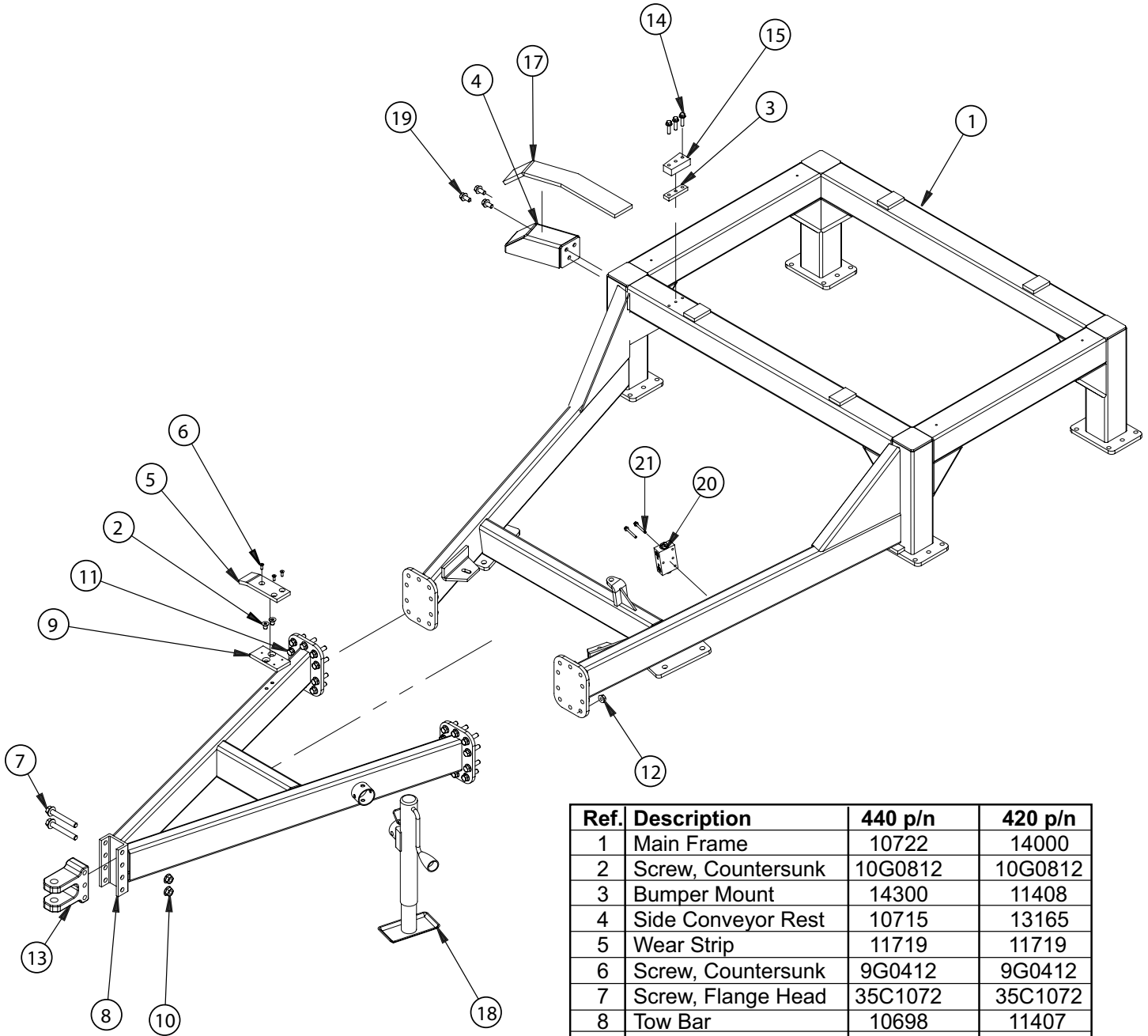
Introduction	2
Full Machine 440, 420	3
Frame Assembly 440, 420	4
Axle Assembly 440, 420	5
Hopper Assembly 440, 420	6
Drive Rollers 440, 420	7
Main Conveyor 440, 420	8
Valve Assembly 440, 420	9
Spinner Assembly 440, 420	10
Spinner 440, 420	11
Side Conveyor Assembly 440, 420	12
Side Conveyor Chute 440, 420	13
Side Conveyor Saddle 440, 420	14
Side Conveyor Tail Roller 440, 420	15
Box Scraper 440, 420	16
Debridger 440, 420	17
Electric Front Door 440, 420	18
Optional Dump Door 440, 420	19
Control Box and Mount 440, 420	20
Full Machine 414, 412, 411	21
Frame Assembly 414, 412, 411	22
Axle Assembly 414, 412, 411	23
Hopper Assembly 414, 412, 411	24
Drive Rollers 414, 412, 411	25
Conveyor 414, 412, 411	26
Spinner Assembly 414, 412, 411	27
Spinner 414, 412, 411	28
Control Box and Mount 414, 412, 411	29
Full Machine 410	30
Frame Assembly 410	31
Wheel Hub 410	32
Hopper Assembly 410	33
Drive Rollers 410	34
Conveyor 410	35
Spinner Assembly 410	36
Spinner 410	37
Hood Assembly 410	38
Engine Package 410	39
Warranty	40

FULL MACHINE 440, 420



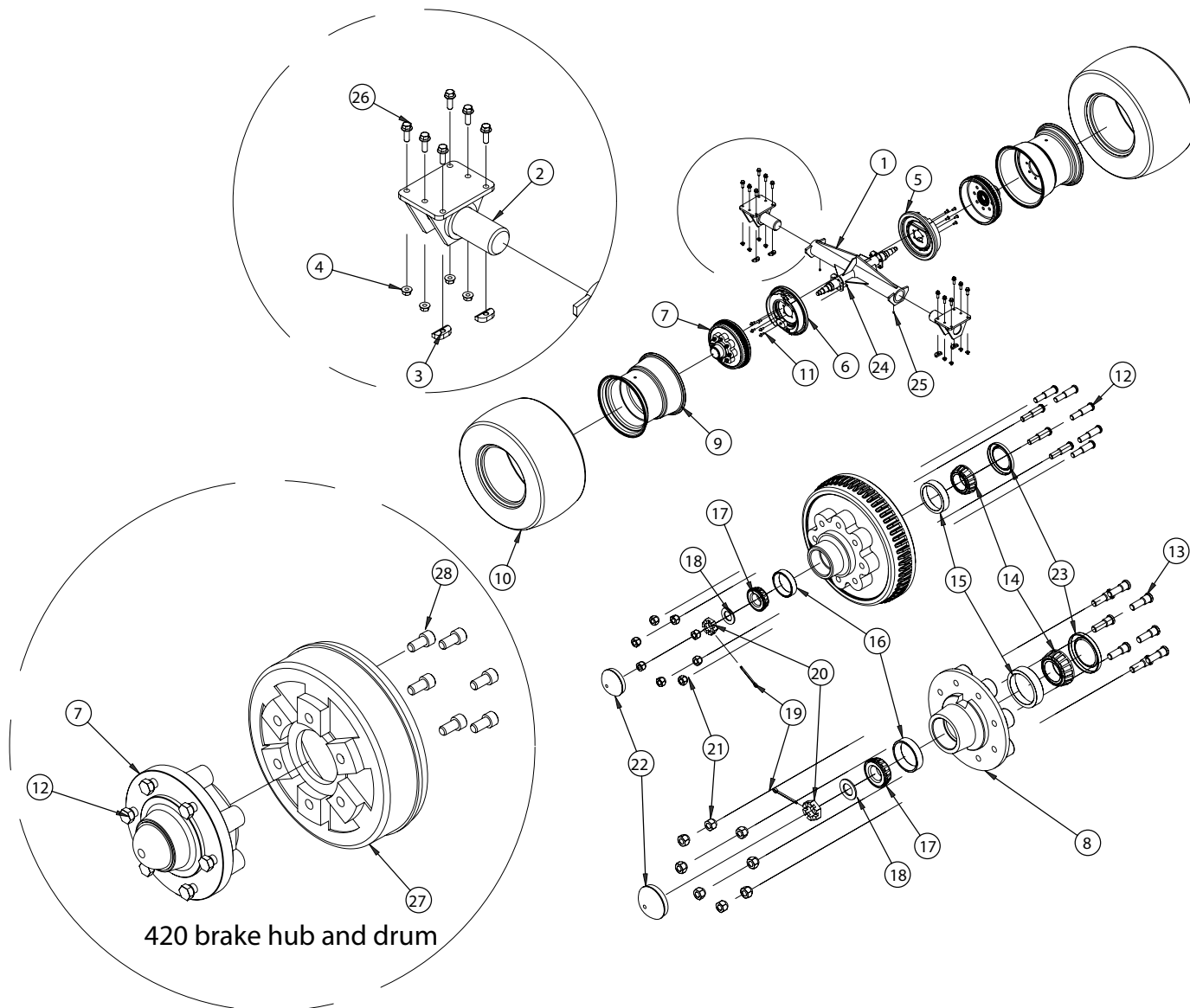
Ref.	Description	440 p/n	420 p/n
1	Frame Assembly	See page 4	See page 4
2	Hopper Assembly	See page 6	See page 6
3	Axle Assembly	See page 5	See page 5
4	Spinner Assembly	See page 10	See page 10
5	Side Conveyor	See page 12	See page 12
6	Box Scraper	See page 15	See page 15
7	Left Fender	13870	14185
8	Right Fender	13871	14012
9	Vibrator	11397	11397
10	Valve Assy	See page 9	See page 9
11	Spinner Motor	11051	11051
12	Rear Shield	10936	10009
13	U-Bolt	11889	12361
14	Nut, Flange Head	89D10	89D10

FRAME ASSEMBLY 440, 420



Ref.	Description	440 p/n	420 p/n
1	Main Frame	10722	14000
2	Screw, Countersunk	10G0812	10G0812
3	Bumper Mount	14300	11408
4	Side Conveyor Rest	10715	13165
5	Wear Strip	11719	11719
6	Screw, Countersunk	9G0412	9G0412
7	Screw, Flange Head	35C1072	35C1072
8	Tow Bar	10698	11407
9	Plate, Stacker Shoe	11720	11720
10	Nut, Flange Head	89D10	89D10
11	Screw, Flange Head	35C0820	35C0620
12	Nut, Flange Head	89D08	89D06
13	Hitch, Clevis	12078	10004
14	Screw, Flange Head	35C0512	35C0512
15	Bumper Stop	14299	11100
16	Nut, Flange Head	89D06	89D06
17	Side Conveyor Rest	11395	14070
18	Jack	10003	10003
19	Screw, Flange Head	35C0816	35C0816
20	Valve, Lock	11073	11073
21	Screw, Flange Head	35C0436	35C0436

AXLE ASSEMBLY 440, 420

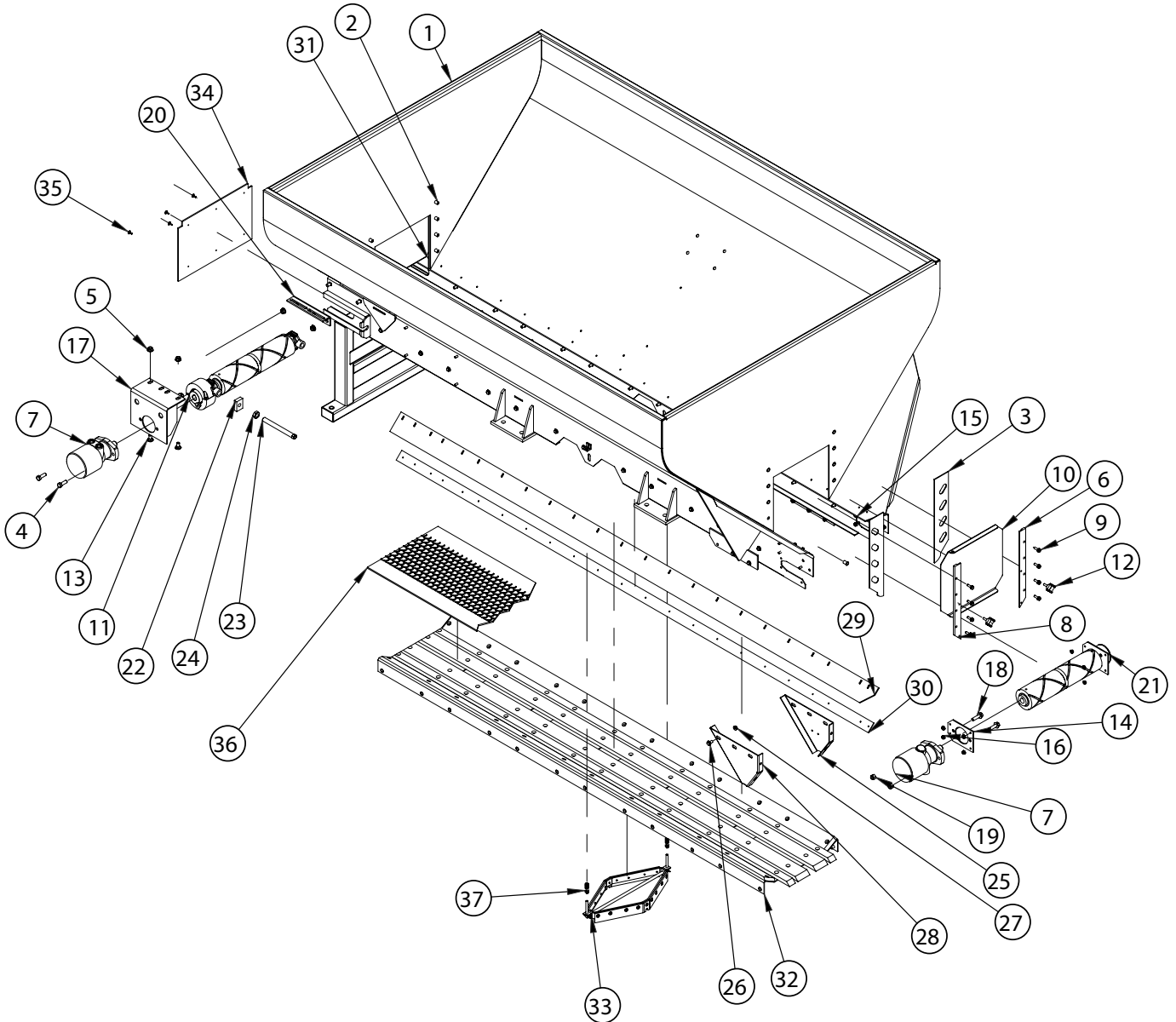


420 brake hub and drum

Ref.	Description	440 p/n	420 p/n
1	Axle	13469	11417
2	Axle Pivot	10685	11415
3	Pivot Stop	10691	10691
4	Nut, Flange Head	89D08	89D08
5	Right Side Brake Assy	11150	11420
6	Left Side Brake Assy	11149	11419
7	Brake Hub Assy	13437	12335
8	Idler Hub Assy	13434	10050
9a	Wheel	13472	10051
9b	Wheel 20" (Optional)	13473	N/A
10a	Tire	11538	10052
10b	Tire 20" (Optional)	11384	N/A
11	Screw, Flange Head	35C0616	35C0616
12	Stud, Brake Hub	13438	10209
13	Stud, Idler Hub	12202	10209

Ref.	Description	440 p/n	420 p/n
14	Bearing, Inner	13427	10205
15	Cup, Inner	13428	10203
16	Cup, Outer	13426	10204
17	Bearing, Outer	13425	10206
18	Washer, Hardened	13431	27E14
19	Cotter Pin	1F528	1F528
20	Nut, Castellated	13429	4D14
21	Nut, Self Centering	12201	12201
22	Hub Grease Cap	13430	10207
23	Grease Seal	13432	10208
24	Nut, Flange Head	89D06	89D06
25	Grease Fitting	10H25	10H25
26	Screw, Flange Head	35C0824	35C0824
27	Brake Drum	N/A	11416
28	Screw, Socket Head	N/A	74G0816

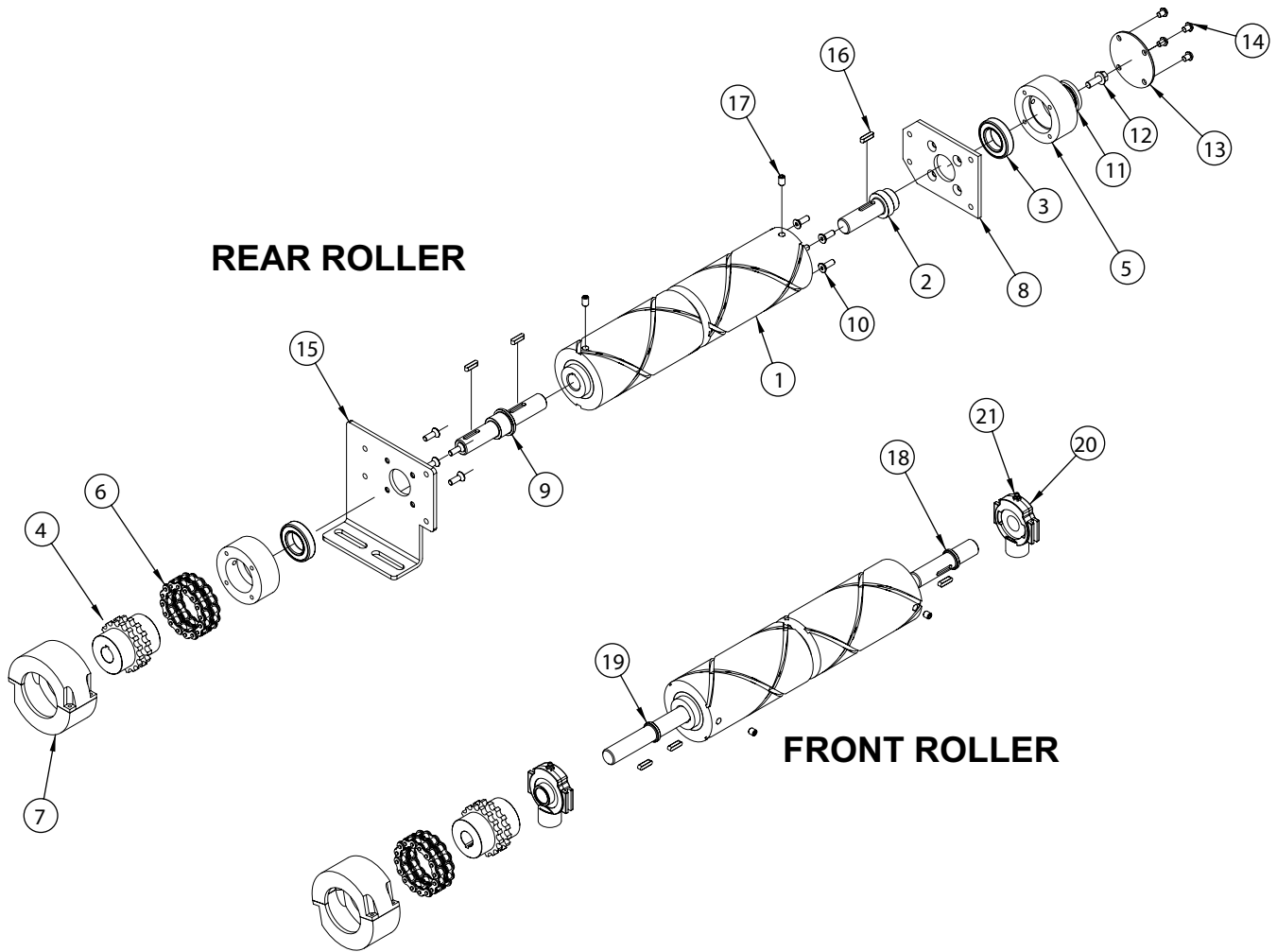
HOPPER ASSEMBLY 440, 420



Ref.	Description	440 p/n	420 p/n
1	Hopper	13841	13999
2	Rivnut	11570	11570
3	Door Seal	13553	13553
4	Screw, Hex Head	1C0824	1C0824
5	Nut, Flange Head	89D08	89D08
6	Door Track - RH	13367	13367
7	Motor	10201	10201
8	Door Track - LH	13368	13368
9	Screw, Flange Head	35C0516	35C0516
10	Panel, Door	12319	12319
11	Roller Assembly	10290	10290
12	Knob, Door Lock	10012	10012
13	Bolt, Carrage	10C0816	10C0816
14	Plate, Motor Mount	13769	13769
15	Screw, Flange Head	35C0512	35C0512
16	Nut, Flange Head	89D05	89D05
17	Motor Mount	10007	10007
18	Screw, Flange Head	35C0528	35C0528
19	Nut, Nylock	59D08	59D08

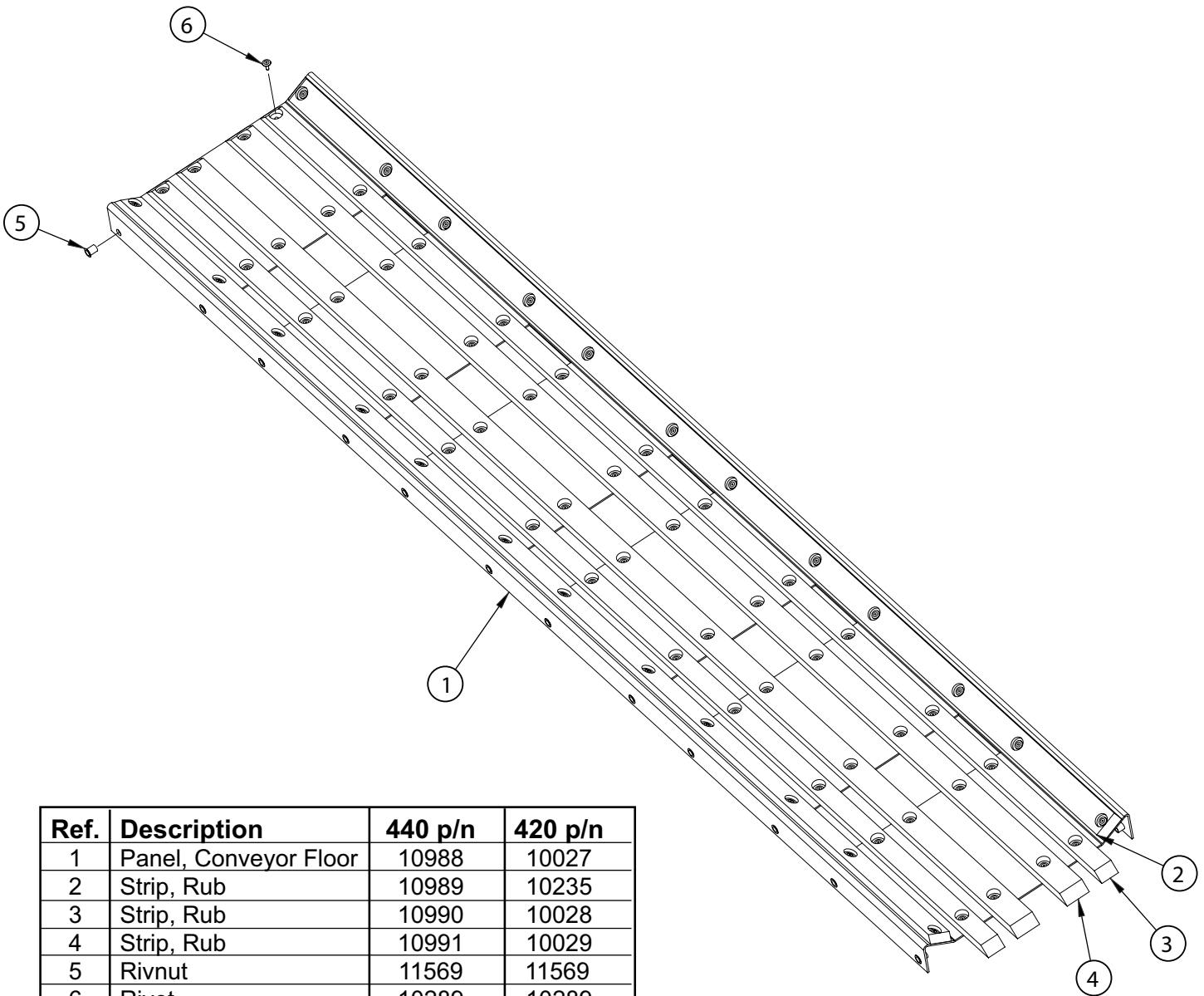
Ref.	Description	440 p/n	420 p/n
20	Support, Motor Mount	10008	10008
21	Roller Assembly	13889	13889
22	Nut	10015	10015
23	Adjustment Screw	10016	10016
24	Nut, Jam	7D12	7D12
25	Bracket, Rear Shield RH	10935	N/A
26	Screw, Flange Head	35C0612	35C0612
27	Nut, Flange Head	89D06	N/A
28	Bracket, Rear Shield LH	10934	N/A
29	Wiper	13575	11692
30	Strip, Wiper Back	13576	14092
31	Screw, Thread Rolling	84G2512	84G2512
32	Conveyor Floor	10992	10265
33	Return Wiper Assembly	14166	14166
34	Shield, Conveyor Front	11019	11019
35	Rivet, Pop,	10289	10289
36	Belt, Main Conveyor	13589	13588
37	Spring, Return Wiper	10302	10302

DRIVE ROLLERS 440, 420



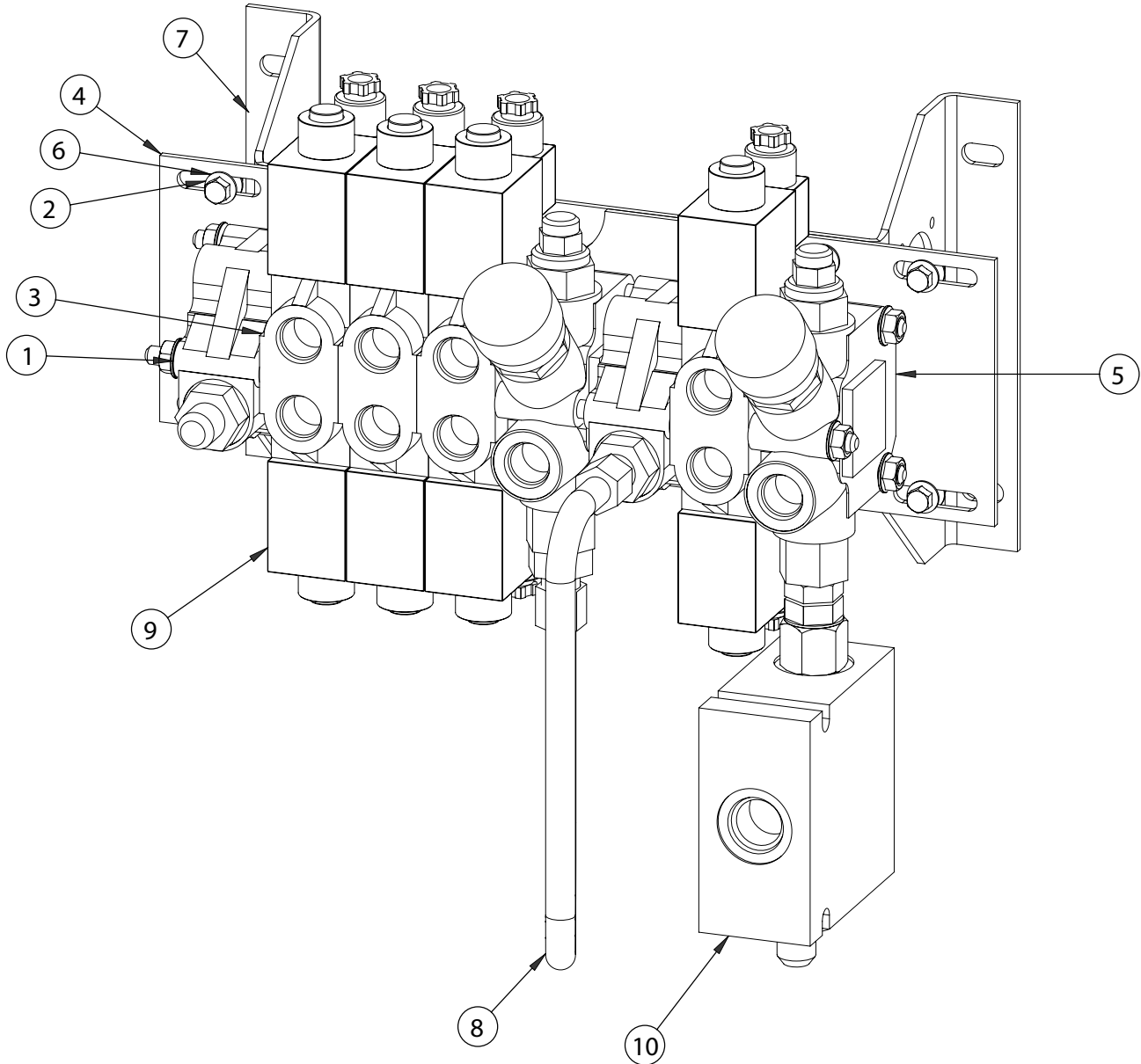
Ref.	Description	440 p/n	420 p/n
1	Roller, Main Conveyor	13211	13211
2	Insert, Rear Roller	13212	13212
3	Bearing	13255	13255
4	Coupler, Drive Roller	10036	10036
5	Cup, Bearing Mount	13887	13887
6	Chain, Coupler	10035	10035
7	Guard, Coupler	10037	10037
8	Plate, Bearing Mount	13768-3	13768-3
9	Insert, Roller Rear Drive	15478	15478
10	Screw, Flat-Head	9G0516	9G0516
11	Magnetic Wheel Assembly	14216	14216
12	Screw, Flange Head	35C0616	35C0616
13	Cover, Bearing Cup	13706	13706
14	Screw, Brass	14097	14097
15	Plate, Bearing Mount	15477	15477
16	Key	7J3016	7J3016
17	Screw, Set	15G0610	15G0610
18	Insert, Front Roller	13213	13213
19	Insert, Front Roller	13215	13215
20	Bearing Assembly	13035	13035
21	Grease Fitting	10H25	10H25

MAIN CONVEYOR 440, 420



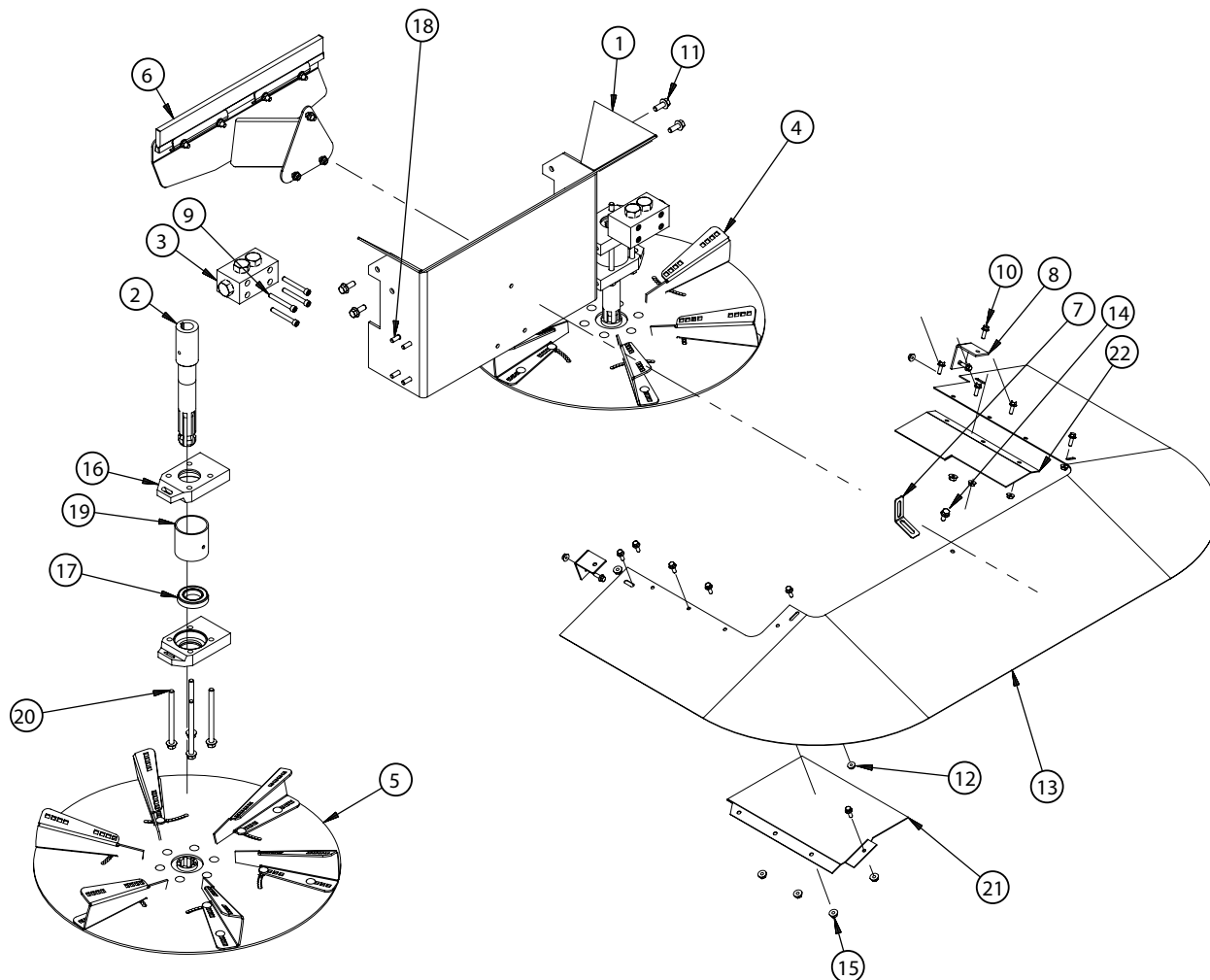
Ref.	Description	440 p/n	420 p/n
1	Panel, Conveyor Floor	10988	10027
2	Strip, Rub	10989	10235
3	Strip, Rub	10990	10028
4	Strip, Rub	10991	10029
5	Rivnut	11569	11569
6	Rivet	10289	10289

VALVE ASSEMBLY 440, 420



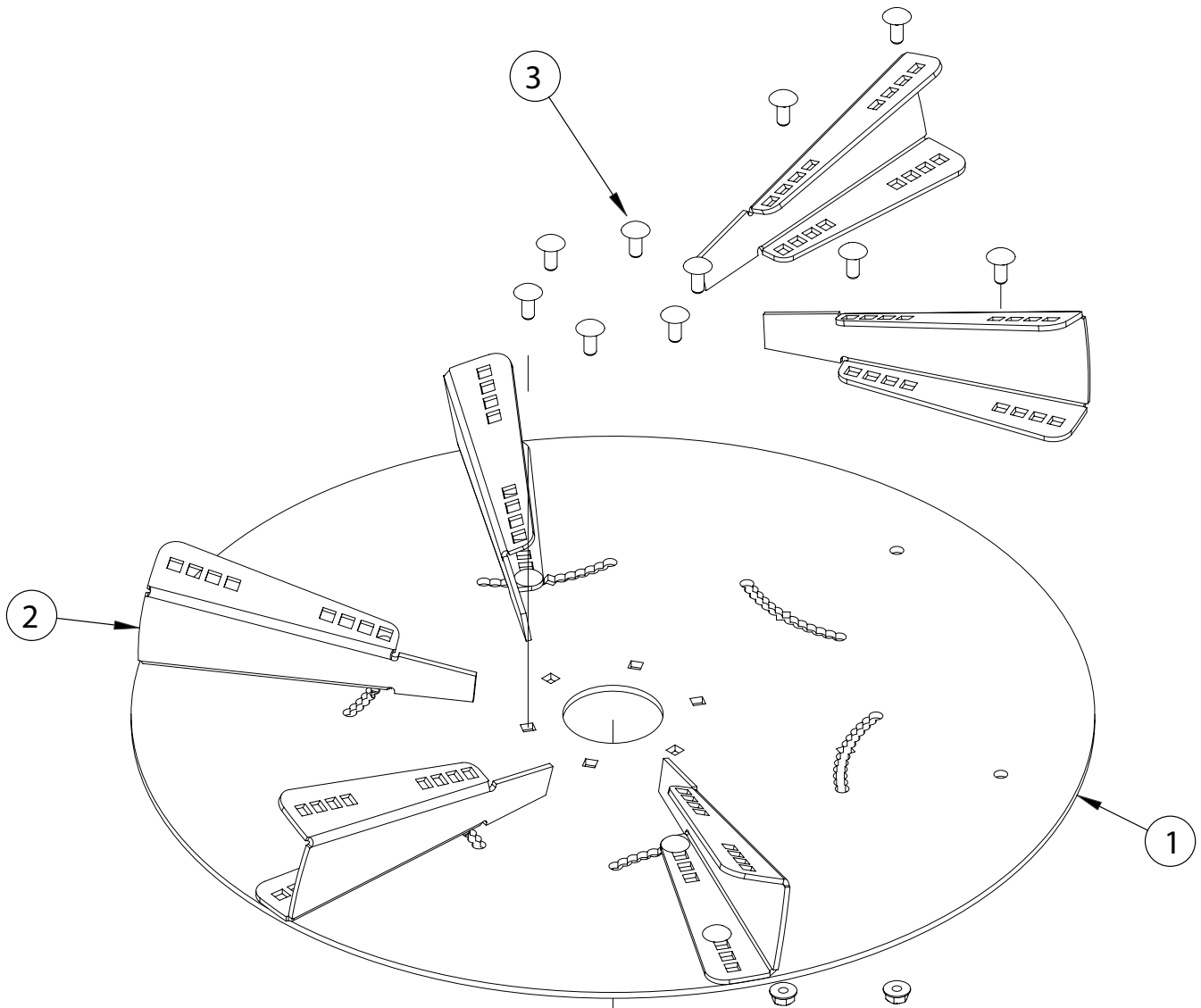
Ref.	Description	440 p/n	420 p/n
1	Valve, Outlet	10910	10910
2	Screw, Flange Head	35C0412	35C0412
3	Valve, Center Section	10908	10908
4	Plate, Extension	11140	11140
5	Valve, Inlet	10909	10909
6	Nut, Hex Flange	89D04	89D04
7	Mount	11141	11141
8	Hydraulic Tube Assembly	11454	11454
9	Coil	12198	12198
10	Valve, Flow Regulator	13729	13729

SPINNER ASSEMBLY 440, 420

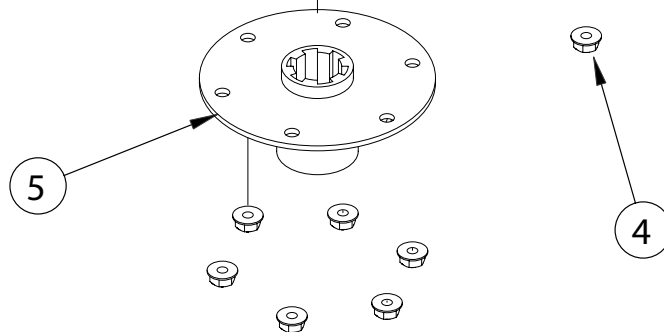


Ref.	Description	440 p/n	420 p/n
1	Spinner Chute	13802	13802
2	Spinner Shaft	10020	10020
3	Bypass Valve	10019	10019
4	Assy, Disk White RH	12546	12546
5	Assy, Disk White LH	12545	12545
6	Assy, Brush	11645	11645
7	Brace, Spinner Shield	12194	12194
8	Shield Mount	10379	10379
9	Screw, Socket Head	73G0540	73G0540
10	Screw, Flange Head	35C0412	35C0412
11	Screw, Flange Head	45C616	45C616
12	Nut, Flange Head	89D04	89D04
13	Spinner Shield	14100	14100
14	Screw, Flange Head	35C0512	35C0512
15	Nut, Flange Head	55D05	55D05
16	Holder, Spinner Motor	13251	13251
17	Bearing	13255	13255
18	Screw, Flange Head	35C0516	35C0516
19	Tube, Spinner Bearing	13256	13256
20	Screw, Flange Head	35C0620	35C0620
21	Plate, Filler Shield LH	14101	14101
22	Plate, Filler Shield RH	10361	10361

SPINNER 440, 420

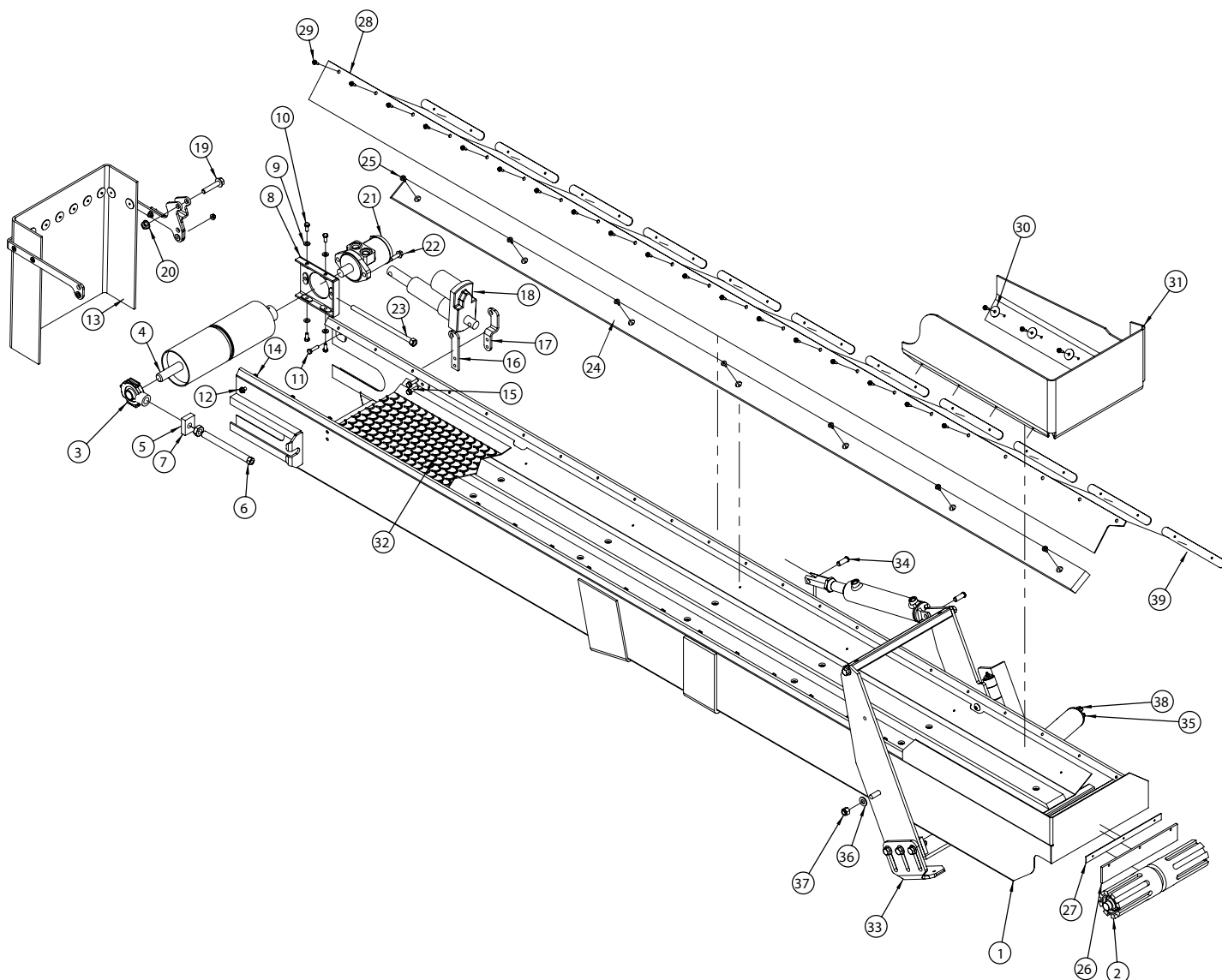


LEFT AND RIGHT SPINNER DISK ASSEMBLIES USE THE SAME COMPONENTS. LEFT SHOWN



Ref.	Description	440 p/n	420 p/n
1	Spinner Disk	12543	12543
2	Blade, Spinner	12539	12539
3	Bolt, Carrage	10C0512	10C0512
4	Nut, Flange Head	55D05	55D05
5	Hub	13954	13954

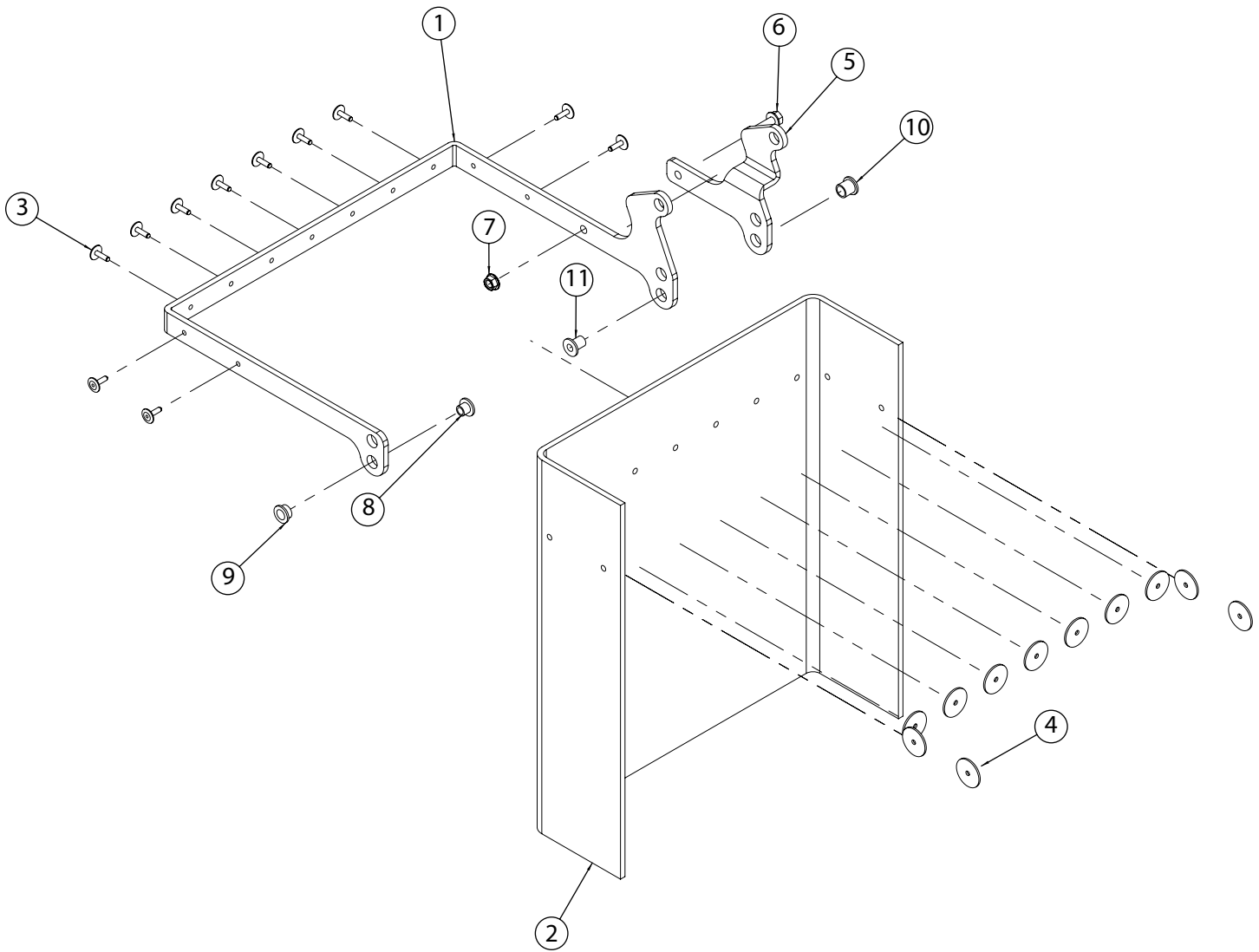
SIDE CONVEYOR ASSEMBLY 440, 420



Ref.	Description	440 p/n	420 p/n
1	Side Conveyor	15455	15443
2	Tail Roller Assembly	10787	10787
3	Take Up Bearing Assy	13035	13035
4	Drive Roller	10792	10792
5	Belt Adjuster Nut	10015	10015
6	Adjustment Screw	10016	10016
7	Jam Nut	7D12	7D12
8	Motor Mount	10791	10791
9	Washer	SS25E15	SS25E15
10	Screw	SS1C0512	SS1C0512
11	Screw	SS1C0520	SS1C0520
12	Screw	SS1C0516	SS1C0516
13	Chute	13974	13974
14	Nut	89D05	89D05
15	Screw	35C0520	35C052
16	Motor Mount	14143	14143
17	Motor Mount	14292	14292
18	Actuator, Electric	14156	14156
19	Screw	35C0840	35C0840
20	Nut	89D08	89D08

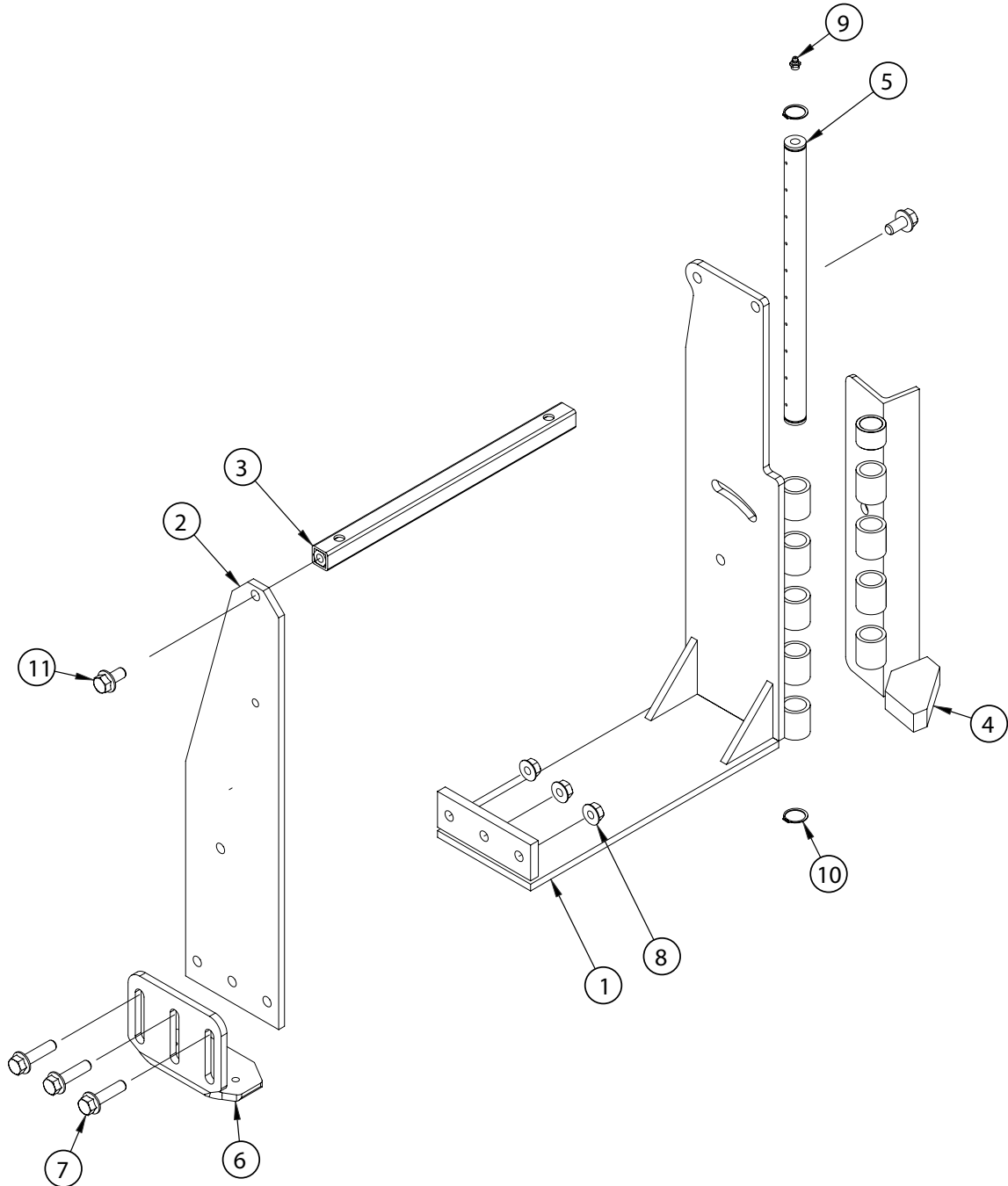
Ref.	Description	440 p/n	420 p/n
21	Motor, Hydraulic	10668	10668
22	Screw	35C0620	35C0620
23	Adjustment Screw	11277	11277
24	Belt Support	14103	14159
25	Rivet	10289	10289
26	Seal, Side Conveyor	14335	14335
27	Seal Retainer	14336	14336
28	Wiper	15460	15449
29	Screw	SS84G2512	SS84G2512
30	Fender Washer	14792	14792
31	Hopper Extension	15448	15448
32	Belt	14155	14154
33	Side Conveyor Mount	10798	10798
34	Cylinder	10793	10793
35	Cylinder	11775	11775
36	Washer	SS25E21	SS25E21
37	Nut, Nylock	59D08	59D08
38	Clevis Pin	2F8127	2F8127
39	Wiper Backer	14787	14787

SIDE CONVEYOR CHUTE 440, 420



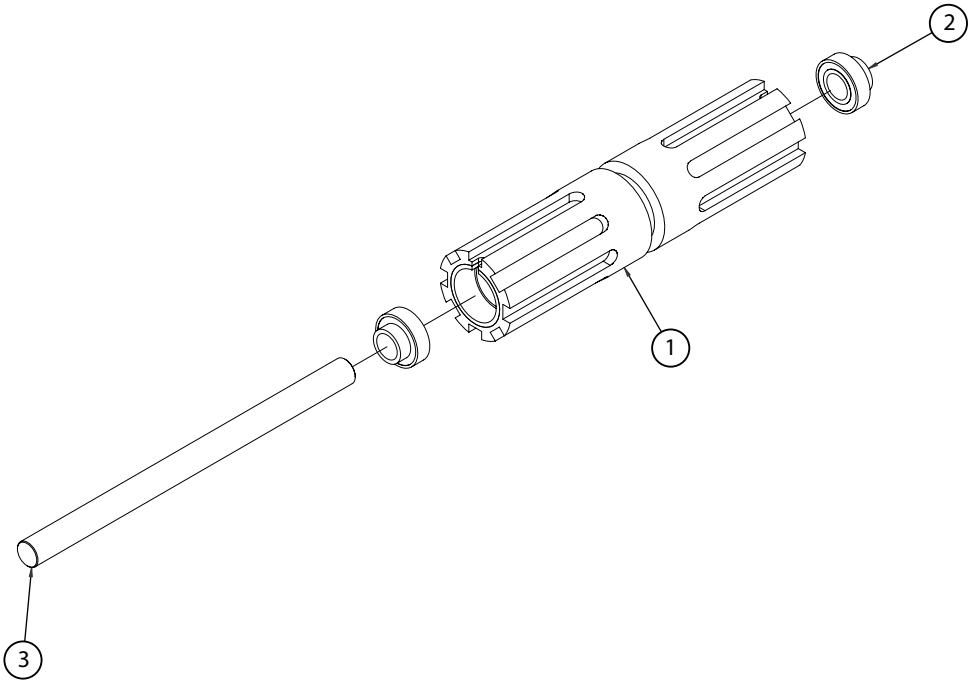
Ref.	Description	440 p/n	420 p/n
1	Strap, Chute	14007	14007
2	Sheet, Rubber	14152	14152
3	Rivet	10289	10289
4	Washer	10381	10381
5	Bracket, Motor Mount	14293	14293
6	Screw, Flange Head	35C0516	35C0516
7	Nut	89D05	89D05
8	Bushing, Inner	14328	14328
9	Bushing, Outer	14329	14329
10	Bushing, Outer	14330	14330
11	Bushing, Inner	14188	14188

SIDE CONVEYOR SADDLE 440, 420



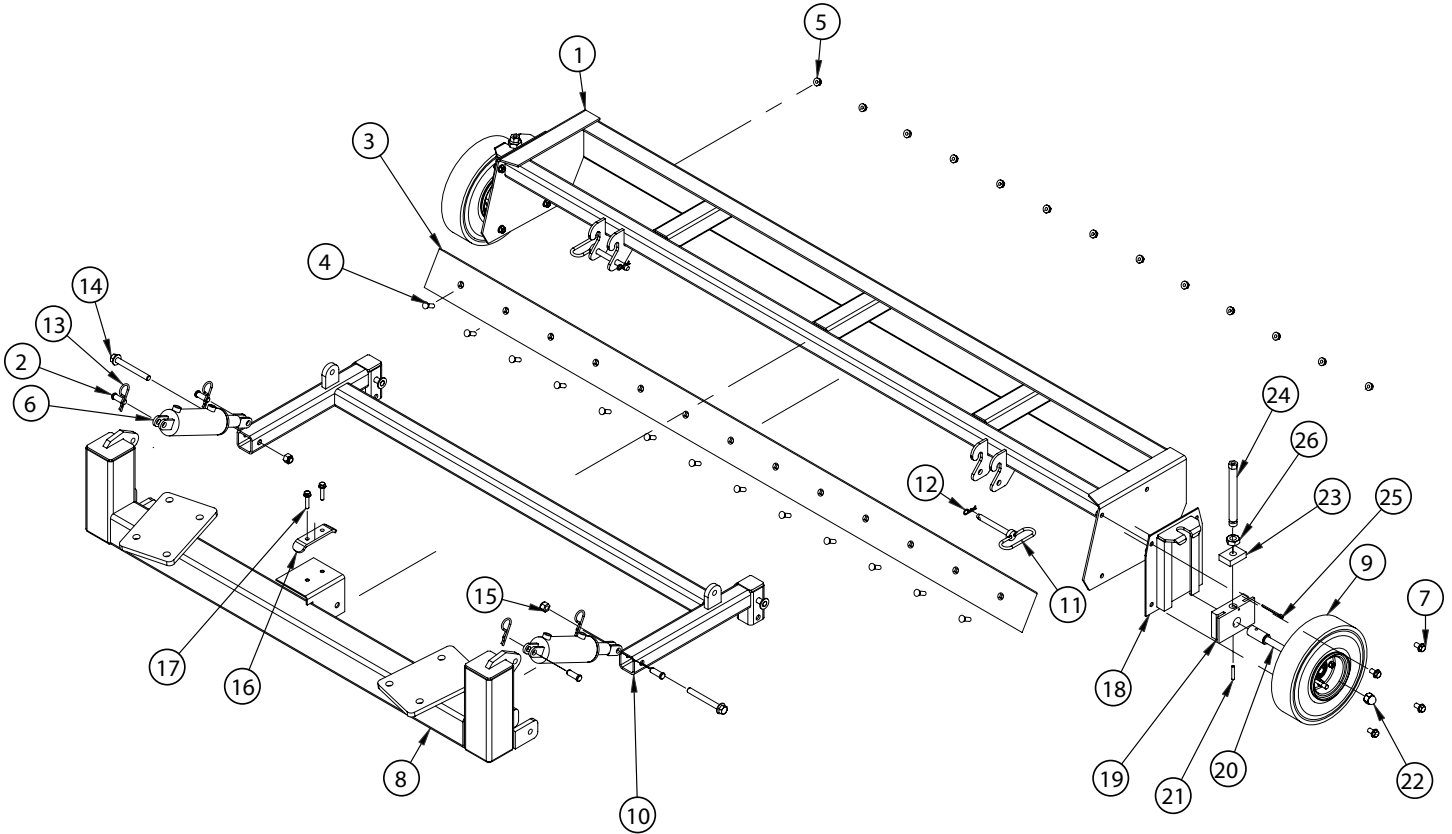
Ref.	Description	440 p/n	420 p/n
1	Saddle	11265	11265
2	Side Plate	10799	10799
3	Crossmember	10802	10802
4	Hinge	10818	10818
5	Hinge Pin	10816	10816
6	Adjustable Shoe Angle	11721	11721
7	Screw, Flange Head	35C0832	35C0832
8	Nut, Flange Head	89D08	89D08
9	Grease Fitting	10H25	10H25
10	Snap Ring, External	5JM26	5JM26
11	Screw, Flange Head	35C0816	35C0816

SIDE CONVEYOR TAIL ROLLER 440, 420



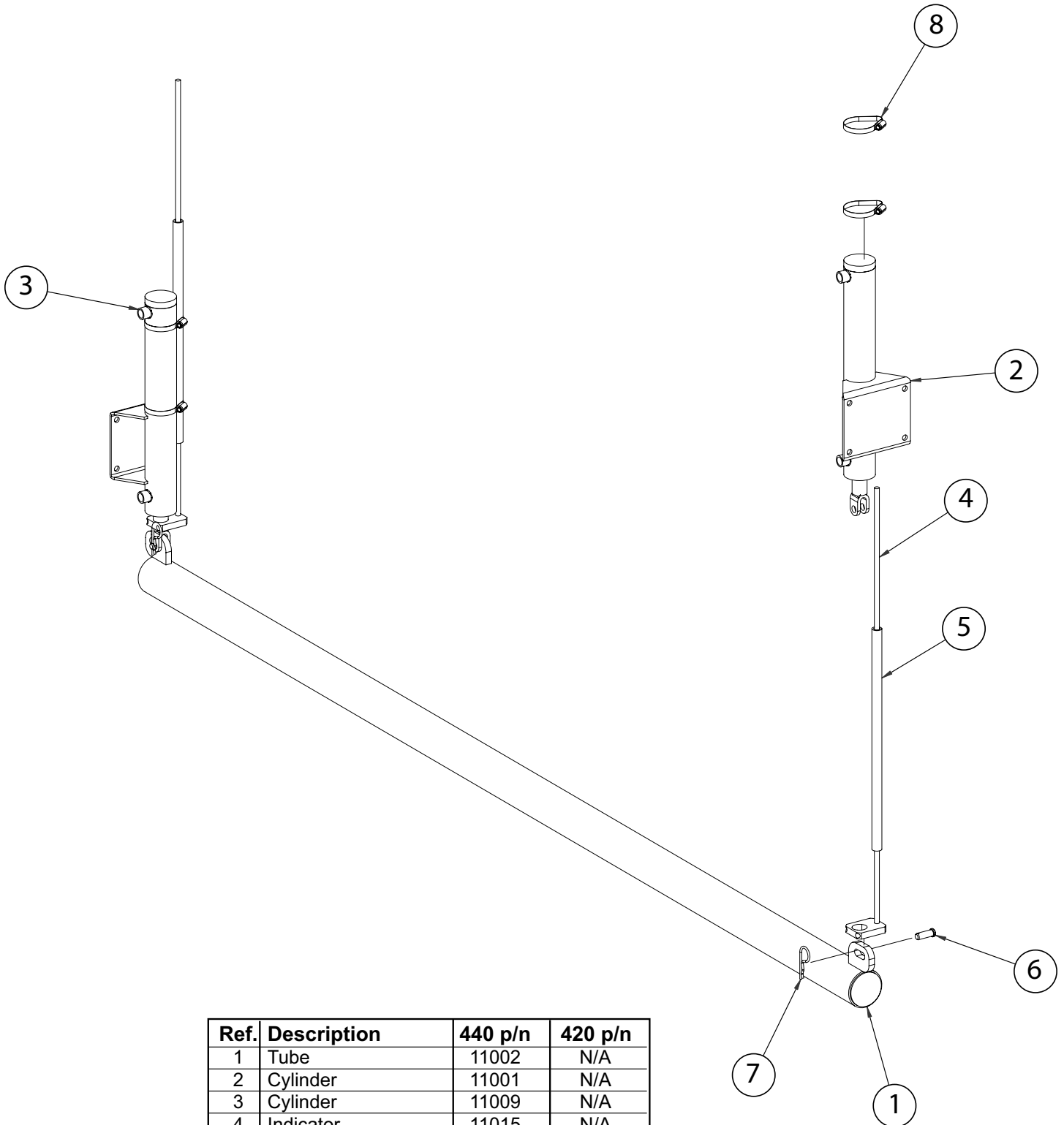
Ref.	Description	440 p/n	420 p/n
1	Roller, Tail	10785	10785
2	Bearing	10788	10788
3	Shaft, Tail Roller	10786	10786

BOX SCRAPER 440, 420



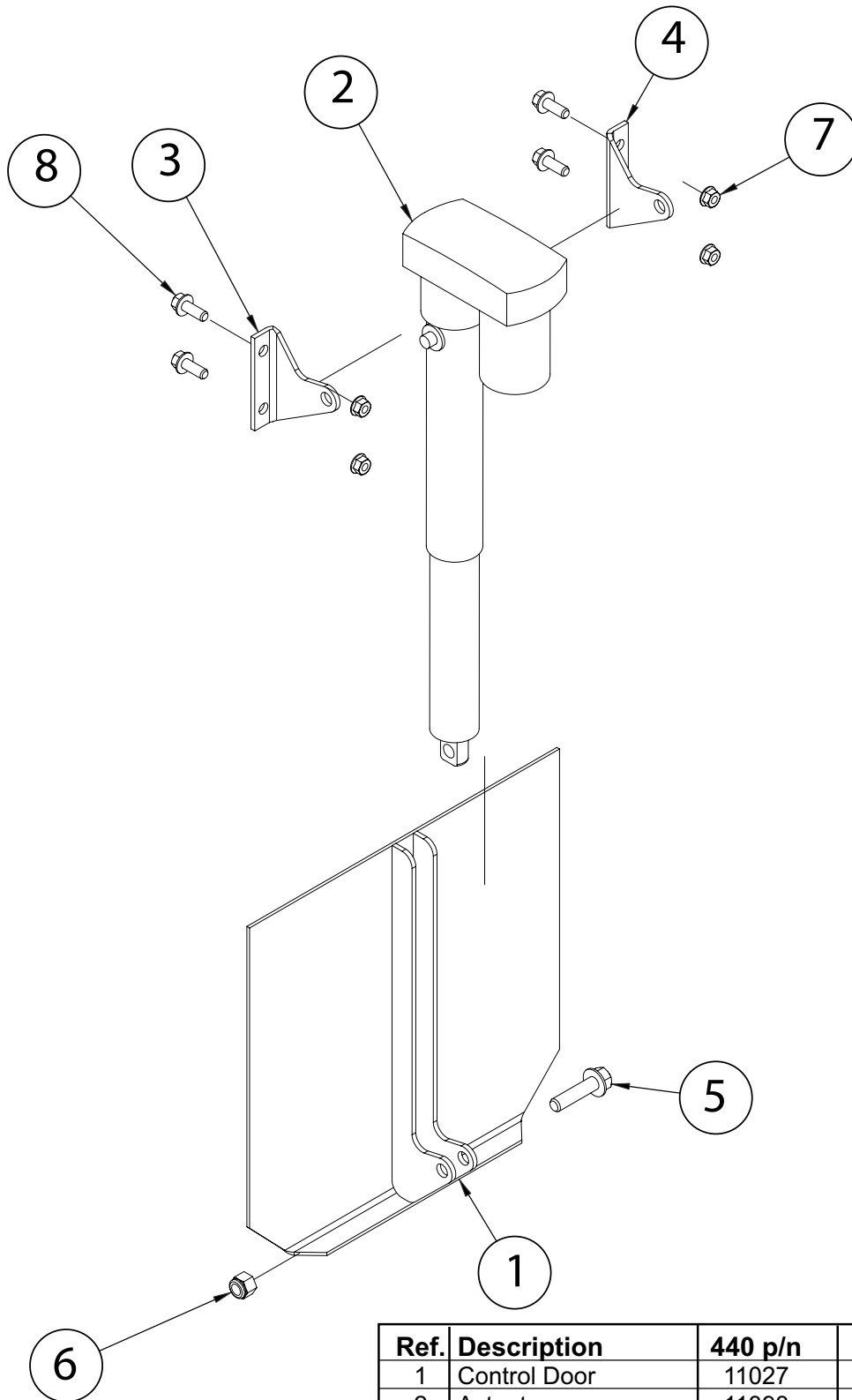
Ref.	Description	440 p/n	420 p/n
1	Box	12498	11658
2	Clevis Pin	2F8127	2F8127
3	Blade	11651	11651
4	Plow Bolt	39C0620	39C0620
5	Nut, Flange Head	89D06	89D06
6	Cylinder	10986	10986
7	Bolt, Flange Head	35C0612	35C0612
8	Hanger	10954	11656
9	Wheel And Tire Assy	12197	12197
10	Swing Support	10955	11657
11	Pin	10984	10984
12	Pin, Hitch Clip	10301	10301
13	Pin, Hitch Pin	13169	13169
14	Screw, Flange Head	35C0860	35C0860
15	Nut, Nylock	59D08	59D08
16	Plate, Clamp	10957	10957
17	Screw, Flange Head	35C0524	35C0524
18	Wheel Mount	11845	11845
19	Block, Spindle Mount	10981	10981
20	Spindle	10980	10980
21	Pin, Straight	14J2524	14J2524
22	Nut, Capped	47D10	47D10
23	Nut	10015	10015
24	Adjuster Screw	10978	10978
25	Cotter Pin	1F0628	1F0628
26	Jam Nut	7D12	7D12

DEBRIDGER 440, 420



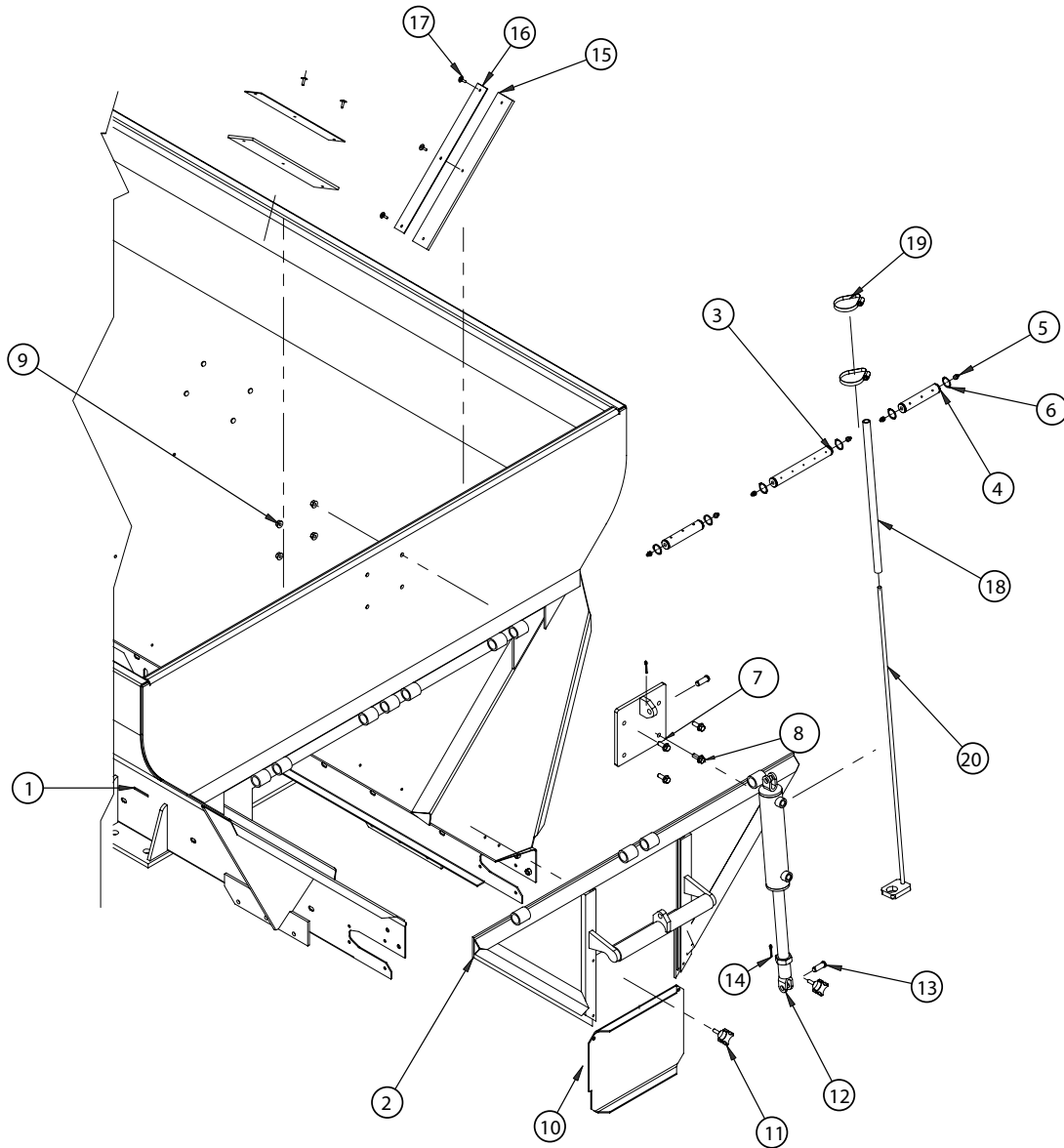
Ref.	Description	440 p/n	420 p/n
1	Tube	11002	N/A
2	Cylinder	11001	N/A
3	Cylinder	11009	N/A
4	Indicator	11015	N/A
5	Tube, Indicator Guide	11011	N/A
6	Pin, Clevis	2F8127	N/A
7	Pin, Hitch	13169	N/A
8	Clamp, Hose	11014	N/A

ELECTRIC FRONT DOOR 440, 420



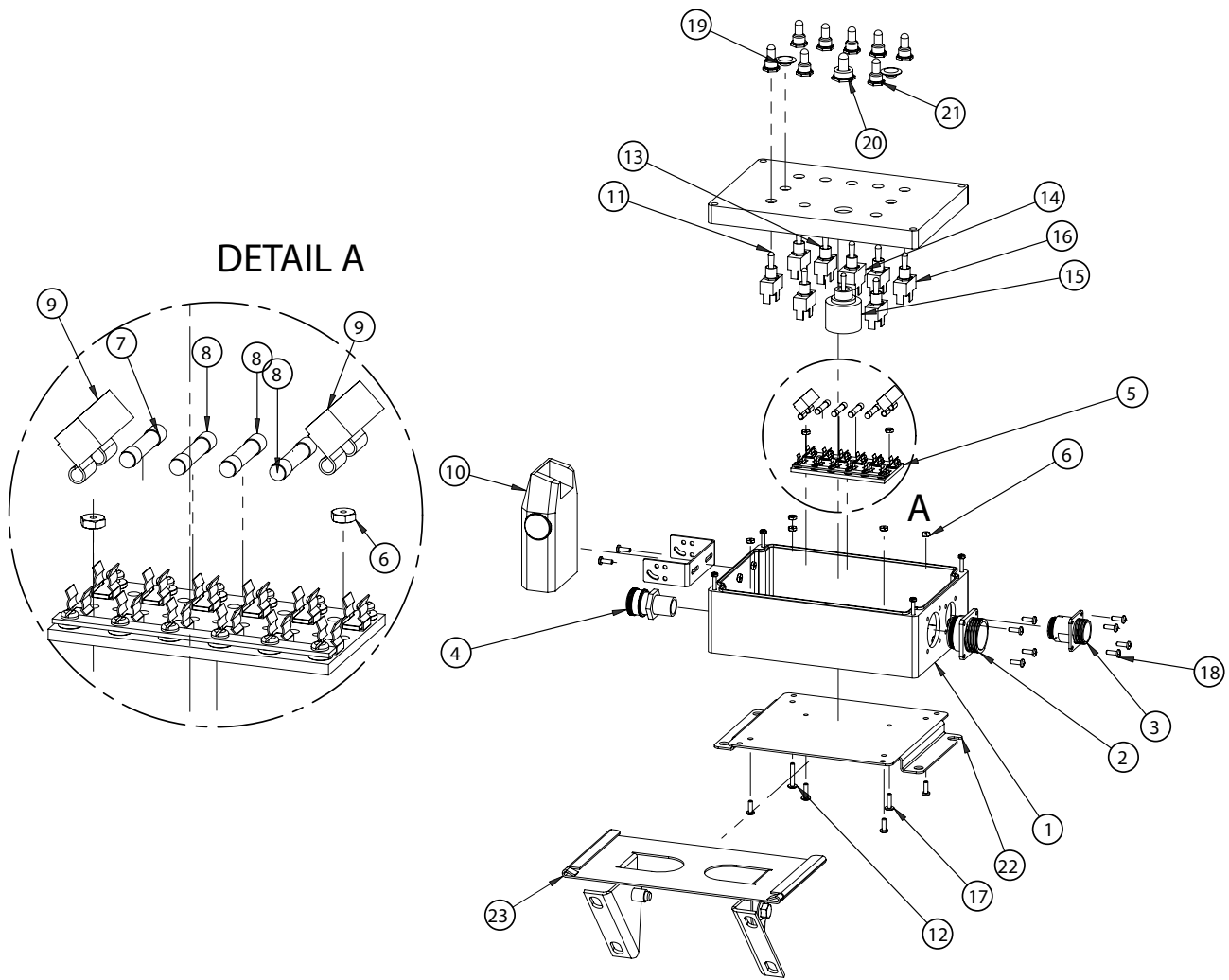
Ref.	Description	440 p/n	420 p/n
1	Control Door	11027	11027
2	Actuator	11393	11393
3	Bracket, Mount - RH	11289	11433
4	Bracket, Mount - LH	11288	11432
5	Screw, Flange Head	35C0832	35C0832
6	Nut, Nylock	59D08	59D08
7	Nut, Flanged	89D06	89D06
8	Screw, Flange Head	35C0616	35C0616

OPTIONAL DUMP DOOR 440, 420



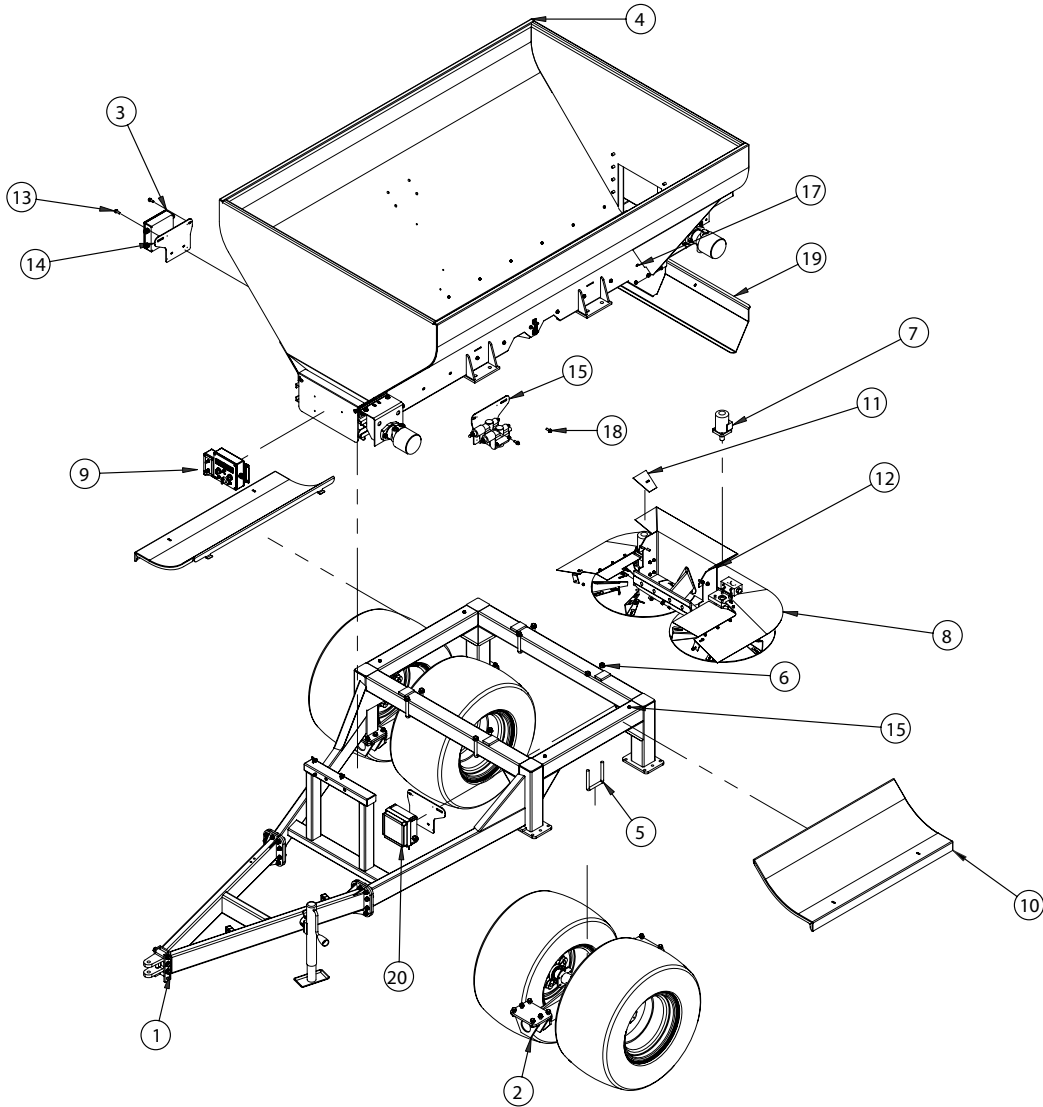
Ref.	Description	440 p/n	420 p/n
1	Hopper W/Dump Door	14322	14323
2	Dump Door	13833	11695
3	Hinge Pin	11020	11020
4	Hinge Pin	11021	11020
5	Grease Fitting	10H25	10H25
6	Snap Ring	5JM26	5JM26
7	Cylinder Mount	10995	10995
8	Screw, Flange Head	35C0616	35C0616
9	Nut	89D06	89D06
10	Panel, Rear Flow Door	11477	11477
11	Lock Knob	10012	10012
12	Cylinder, Dump Door	11775	11664
13	Pin, Clevis	2F8127	2F8127
14	Pin, Cotter	1F416	1F416
15	Seal, Dump Door	11040	12325
16	Strip, Seal Retainer	14327	12324
17	Rivet	10289	10289
18	Tube, Guide	11011	11011
19	Clamp	11014	11014
20	Indicator	11012	12287

CONTROL BOX AND MOUNT 440, 420



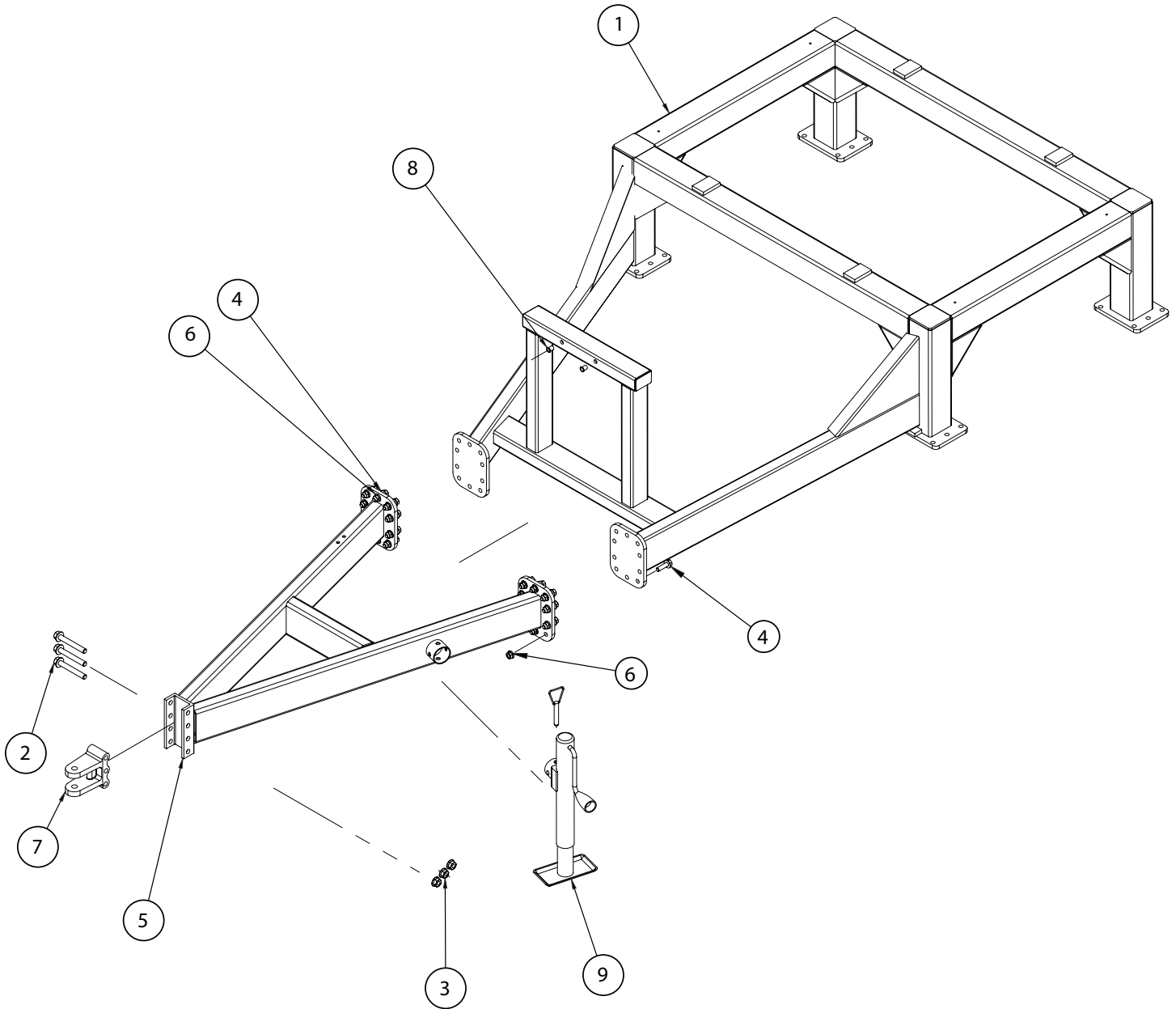
Ref.	Description	440 p/n	420 p/n
1	Box, Control	13685	13685
2	Plug, Cannon	11168	11168
3	Plug, Cannon	11169	11169
4	Clamp, Strain Relief	11154	11154
5	Block, Fuse	10319	10319
6	Nut	12D08	12D08
7	Fuse - 30 Amp	12119	12119
8	Fuse - 10 Amp	11804	11804
9	Circuit Breaker - 20A	11162	11162
10	Controller, Brake	11157	11157
11	Switch	11171	11171
12	Screw, Machine	87G0816	87G0816
13	Switch	11176	11176
14	Switch	11167	11167
15	Switch	11178	11178
16	Switch	11170	11170
17	Screw, Machine	87G0810	87G0810
18	Screw, Machine	87G0808	87G0808
19	Plug, Plastic	13063	13063
20	Boot, Switch	11175	11175
21	Boot, Switch	10192	10192
22	Bracket, Control Box	14023	14023
23	Mount, Control Box	12031	12031

FULL MACHINE 414, 412, 411



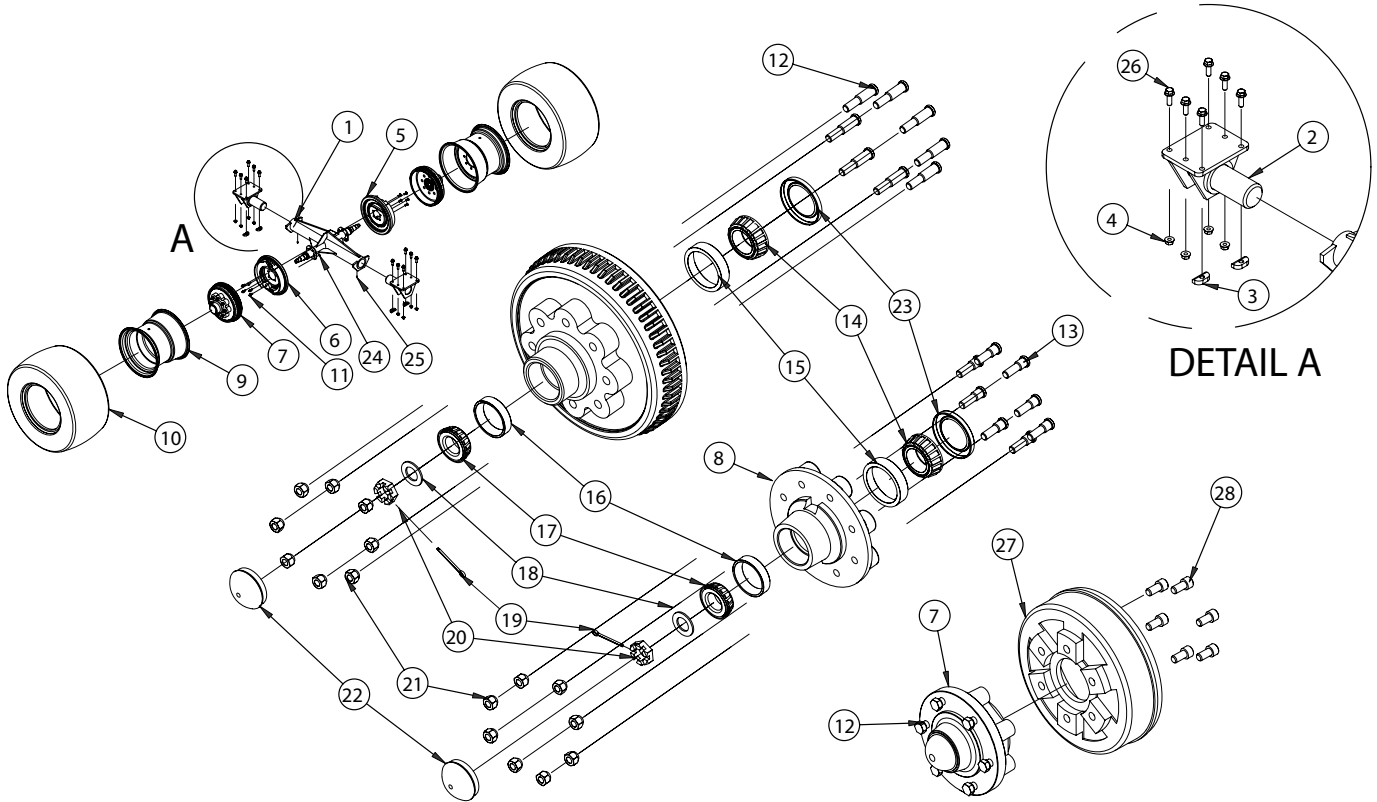
Ref.	Description	414 p/n	412 p/n	411 p/n
1	Frame Assy	See page 21	See page 21	See page 21
2	Axle Assy	See page 22	See page 22	See page 22
3	Auxillary Control Box	13846	13846	13846
4	Hopper Assy	See page 23	See page 23	See page 23
5	U-Bolt	11889	12361	10189
6	Nut, Flange Head	89D10	89D08	89D08
7	Hydraulic Motor	11051	11051	10018
8	Spinner Assembly	See page 26	See page 26	See page 26
9	Control Box	See page 28	See page 28	See page 28
10	Fender	13870	14185	14185
11	Seal	10677	10677	10374
12	Screw, Thread Rolling	84G2510	84G2510	84G2510
13	Screw, Flange Head	35C0516	35C0516	35C0516
14	Bracket, Box Mount	14094	14094	14094
15	Screw, Flange Head	35C0508	35C0508	35C0508
16	Valve Assy	14043	14043	14043
17	Screw, Flange Head	35C0512	35C0512	35C0512
18	Screw, Flange Head	35C0516	35C0516	35C0516
19	Rear Shield	10936	10009	13115
20	Brake Control Box	14304	14304	14304

FRAME ASSEMBLY 414, 412, 411



Ref.	Description	414 p/n	412 p/n	411 p/n
1	Main Frame	13581	13781	13891
2	Bolt, Flange Head	35C1072	35C1072	35C1072
3	Nut, Flanged	89D10	89D10	89D10
4	Screw, Flanged Head	35C0828	35C0620	35C0620
5	Tow Bar	10698	11407	11582
6	Nut, Flanged Head	55D08	55D06	55D06
7	Hitch, Clevis	12078	10004	10004
8	Rivnut	11569	N/A	N/A
9	Jack, Side Swivel	10003	10003	10003

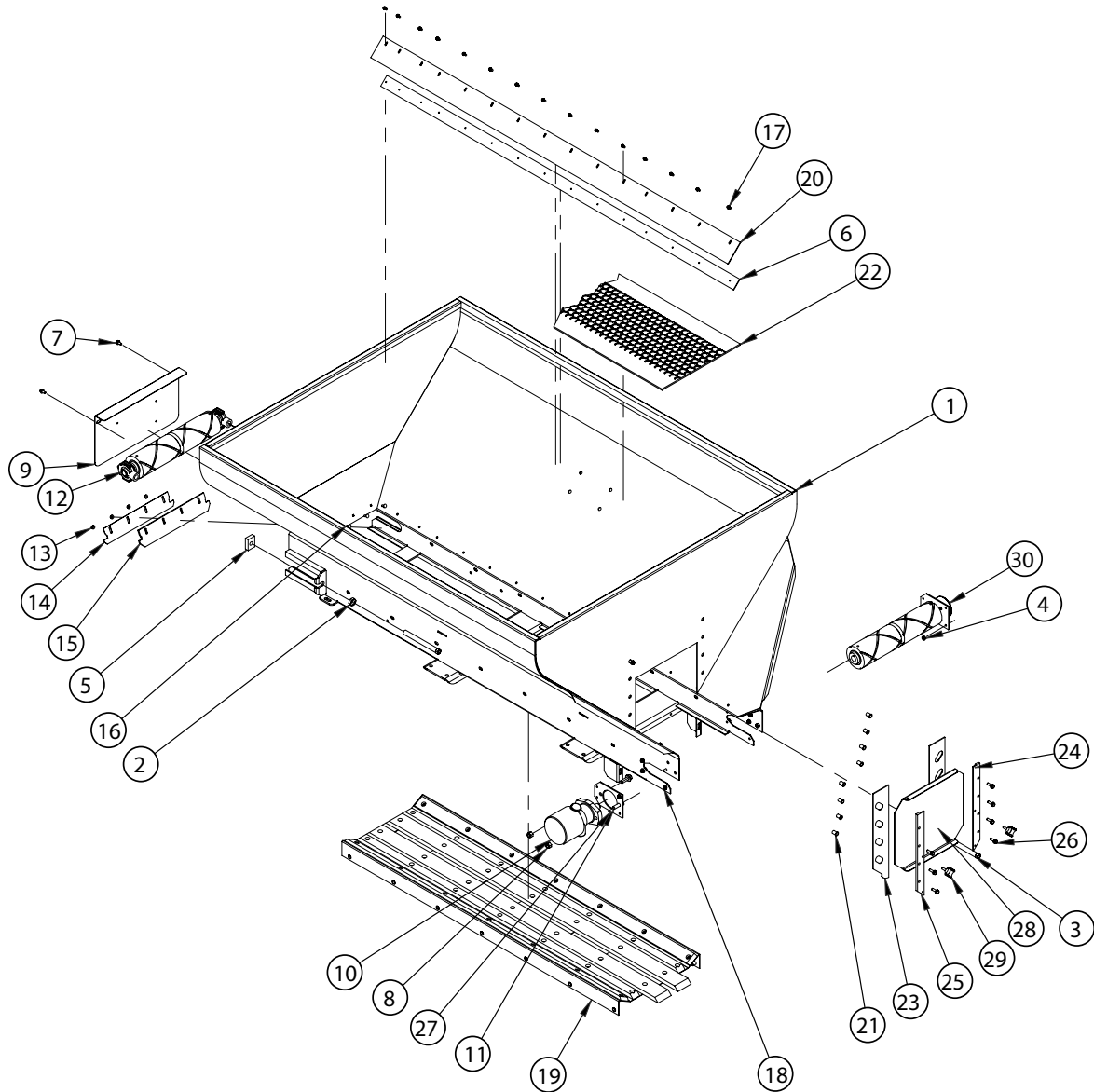
AXLE ASSEMBLY 414, 412, 411



412 & 411 BRAKE HUB AND DRUM

Ref.	Description	414 p/n	412 p/n	411 p/n
1	Axle	13469	11417	11417
2	Axle Pivot	10685	1415	1415
3	Pivot Stop	10691	10691	10691
4	Nut, Flange Head	89D08	89D08	89D08
5	Right Side Brake Assy	11150	11420	N/A
6	Left Side Brake Assy	11149	11419	N/A
7	Brake Hub Assy	13437	12335	N/A
8	Idler Hub Assy	13434	10050	10050
9a	Wheel	13472	10051	10051
9b	Wheel 20" (Optional)	13473	N/A	N/A
10a	Tire	11538	10052	10052
10b	Tire 20" (Optional)	13473	N/A	N/A
11	Screw, Flange Head	35C0616	35C0616	35C0616
12	Stud, Brake Hub	13438	10209	N/A
13	Stud, Idler Hub	12202	10029	10029
14	Bearing, Inner	13427	10205	10205
15	Cup, Inner	13428	10203	10203
16	Cup, Outer	13426	10204	10204
17	Bearing, Outer	13425	10206	10206
18	Washer, Hardened	13431	27E14	27E14
19	Cotter Pin	1F528	1F528	1F528
20	Nut, Castellated	13429	4D14	4D14
21	Nut, Self Centering	12201	12201	12201
22	Hub, Grease Cap	13430	10207	10207
23	Grease Seal	13432	10208	10208
24	Nut, Flange Head	89D06	89D06	89D06
25	Grease Fitting	10H25	10H25	10H25
26	Screw, Flange Head	35C0824	35C0824	35C0824
27	Brake Drum	N/A	11416	11416
28	Screw, Socket Head	N/A	74G0816	74G0816

HOPPER ASSEMBLY 414, 412, 411

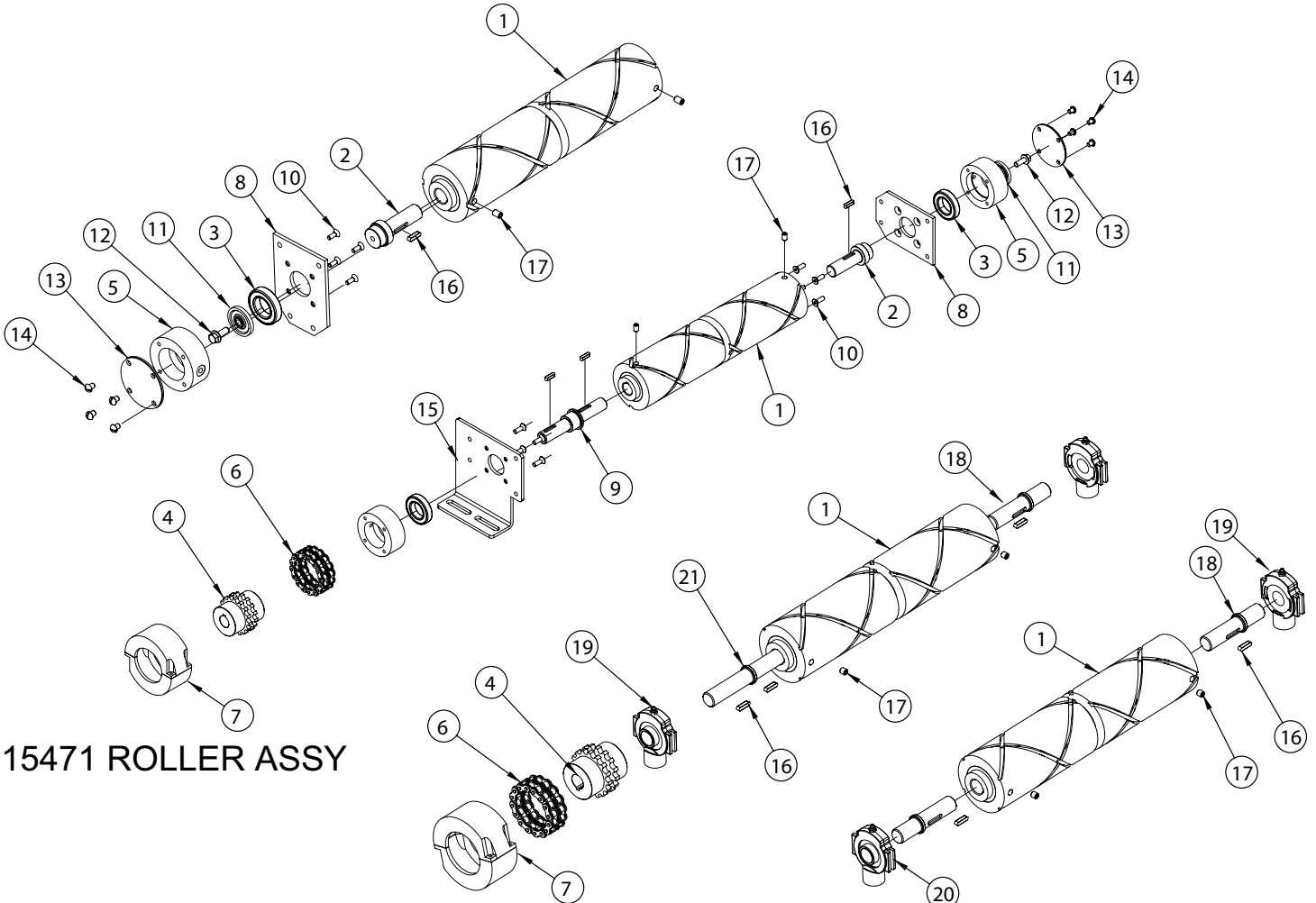


Ref.	Description	414 p/n	412 p/n	411 p/n
1	Hopper	13946	13780	13892
2	Jam Nut	7D12	7D12	7D12
3	Adjustment Screw	10016	10016	10016
4	Nut	89D05	89D05	89D05
5	Nut, Belt Adjustment	10015	10015	10015
6	Wiper Retainer	13504	13534	13534
7	Screw, Flange Head	35C0510	35C0510	35C0510
8	Nut, Nylock	59D08	59D08	59D08
9	Front Shield	11615	11615	11615
10	Conveyor Motor	10201	10201	10201
11	Screw, Flange Head	35C0824	35C0824	35C0824
12	Front Roller Assy	10290	10291	10291
13	Nut, Flanged	89D04	89D04	89D04
14	Seal, Backer Plate	13478	13478	13478
15	Seal, Front End	13479	13479	13479

Ref.	Description	414 p/n	412 p/n	411 p/n
16	Bolt, Carriage	1C0412	1C0412	1C0412
17	Screw	84G0410	84G0410	84G0410
18	Screw, Flanged Head	35C0512	35C0512	35C0512
19	Conveyor Pan Assy	13586	10876	10876
20	Wiper	13503	13535	13535
21	Rivnut	11570	11570	11570
22	Belt	13634	13587	13587
23	Seal, Rear Door	13553	13553	13553
24	Door Track RH	13367	13367	13367
25	Door Track LH	13368	13368	13368
26	Screw, Flange Head	35C0516	35C0516	35C0516
27	Plate, Motor Mount	13769	13769	13769
28	Panel, Door	12319	12319	12319
29	Knob, Rear Door Lock	10012	10012	10012
30	Roller Assy	15471	15471	13889

DRIVE ROLLERS 414, 412, 411

13889 ROLLER ASSY



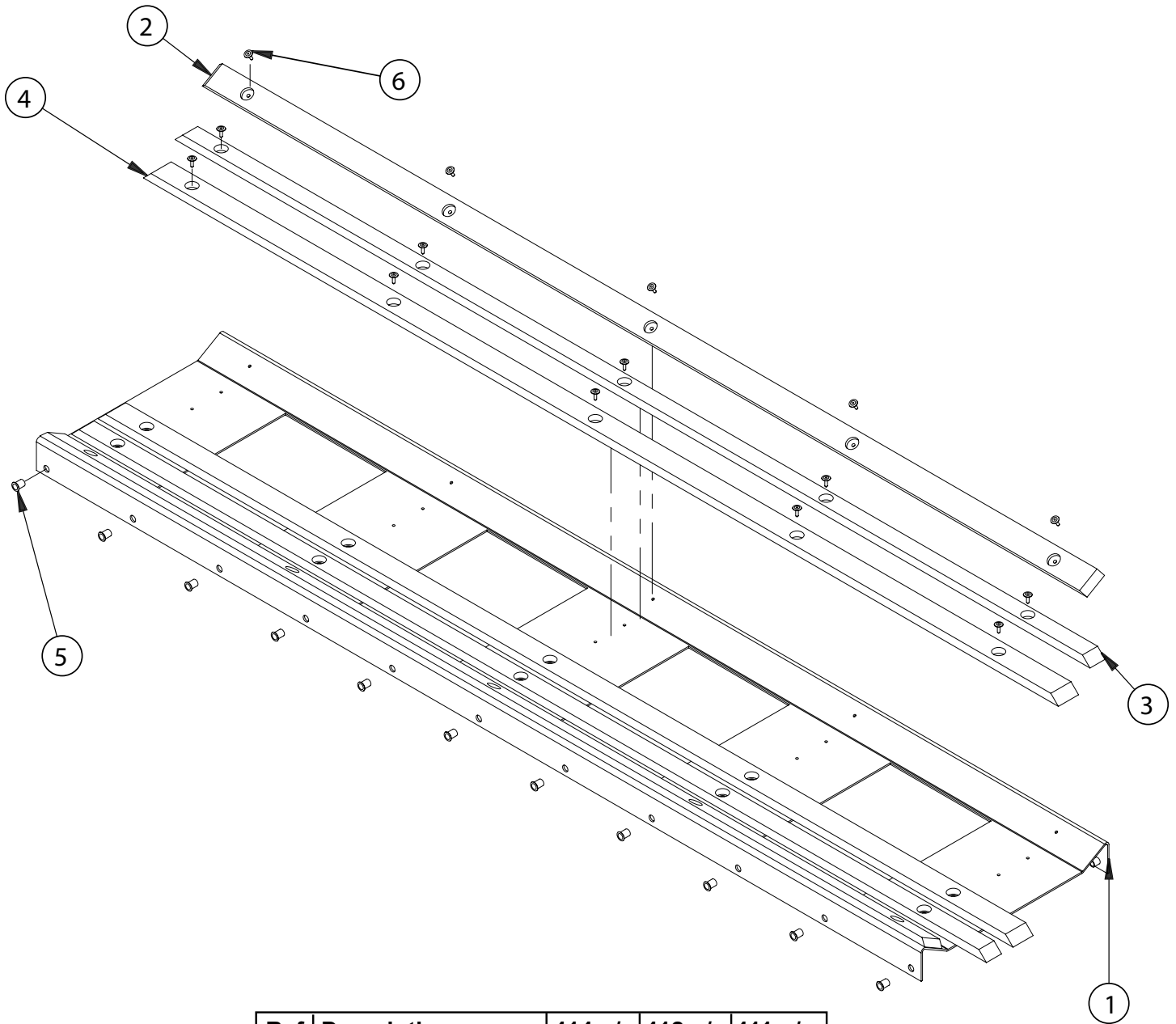
15471 ROLLER ASSY

10290 ROLLER ASSY

10291 ROLLER ASSY

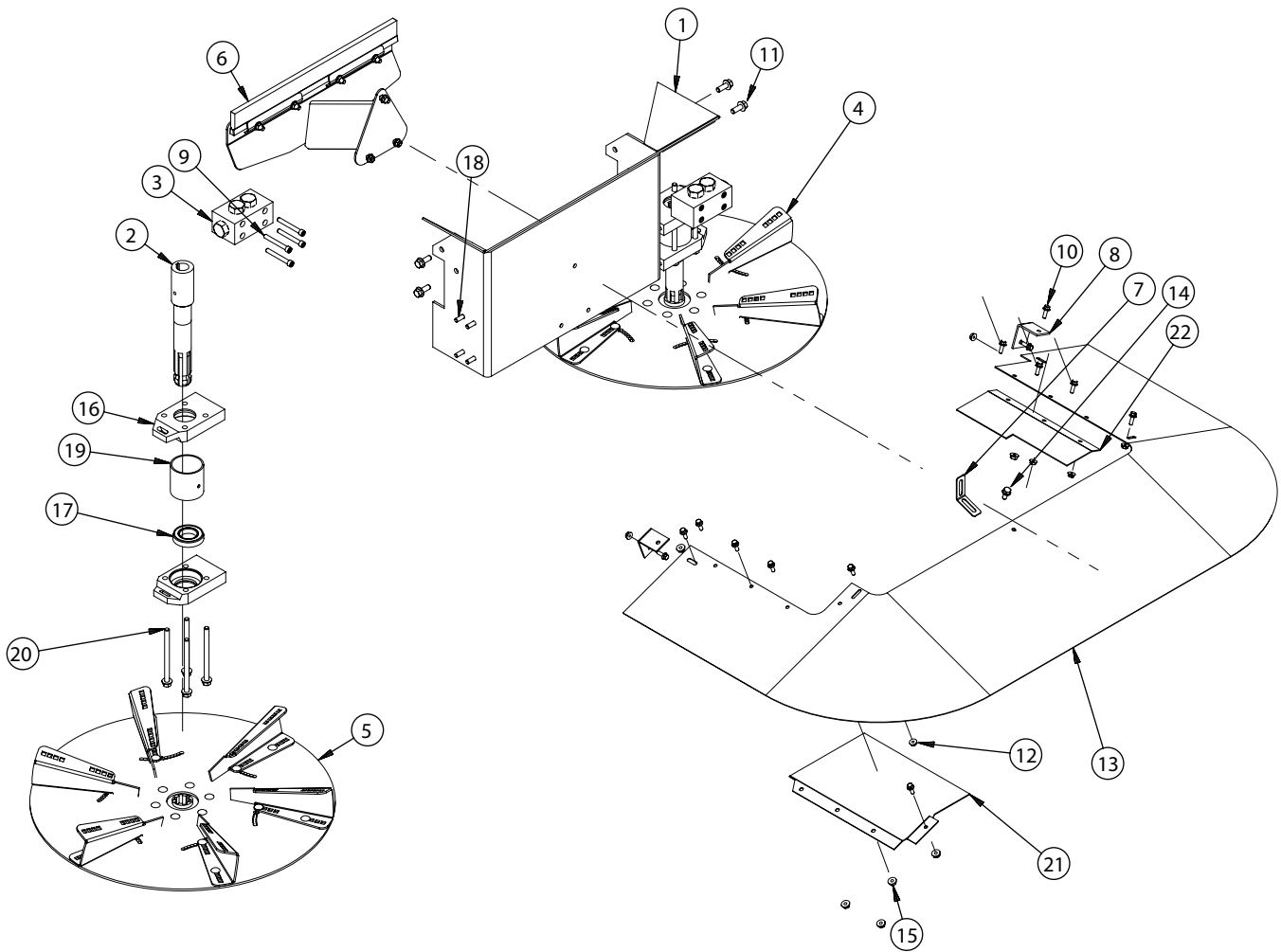
Ref.	Description	414 p/n	412 p/n	411 p/n
1	Roller, Main Conveyor	13211	13211	13211
2	Roller Insert	13212	13212	13212
3	Bearing	13255	13255	13255
4	Coupler, Drive Roller	10036	10036	10036
5	Bearing Mount	13887	13887	13887
6	Chain Coupler	10035	10035	10035
7	Guard	10037	10037	10037
8	Plate, Bearing Mount	13768-3	13768-3	13768-3
9	Roller Insert	15478	15478	15478
10	Screw, Countersunk	9G0516	9G0516	9G0516
11	Magnetic Wheel	14216	14216	14216
12	Screw, Flange Head	35C0616	35C0616	35C0616
13	Cover	13706	13706	13706
14	Screw	14097	14097	14097
15	Plate, Bearing Mount	15477	15477	15477
16	Key	7J3016	7J3016	7J3016
17	Set Screw	15G0610	15G0610	15G0610
18	Roller Insert	13213	13213	13213
19	Grease Fitting	10H25	10H25	10H25
20	Bearing Assy	13035	13035	13035
21	Roller Insert	13215	13215	13215

CONVEYOR 414, 412, 411



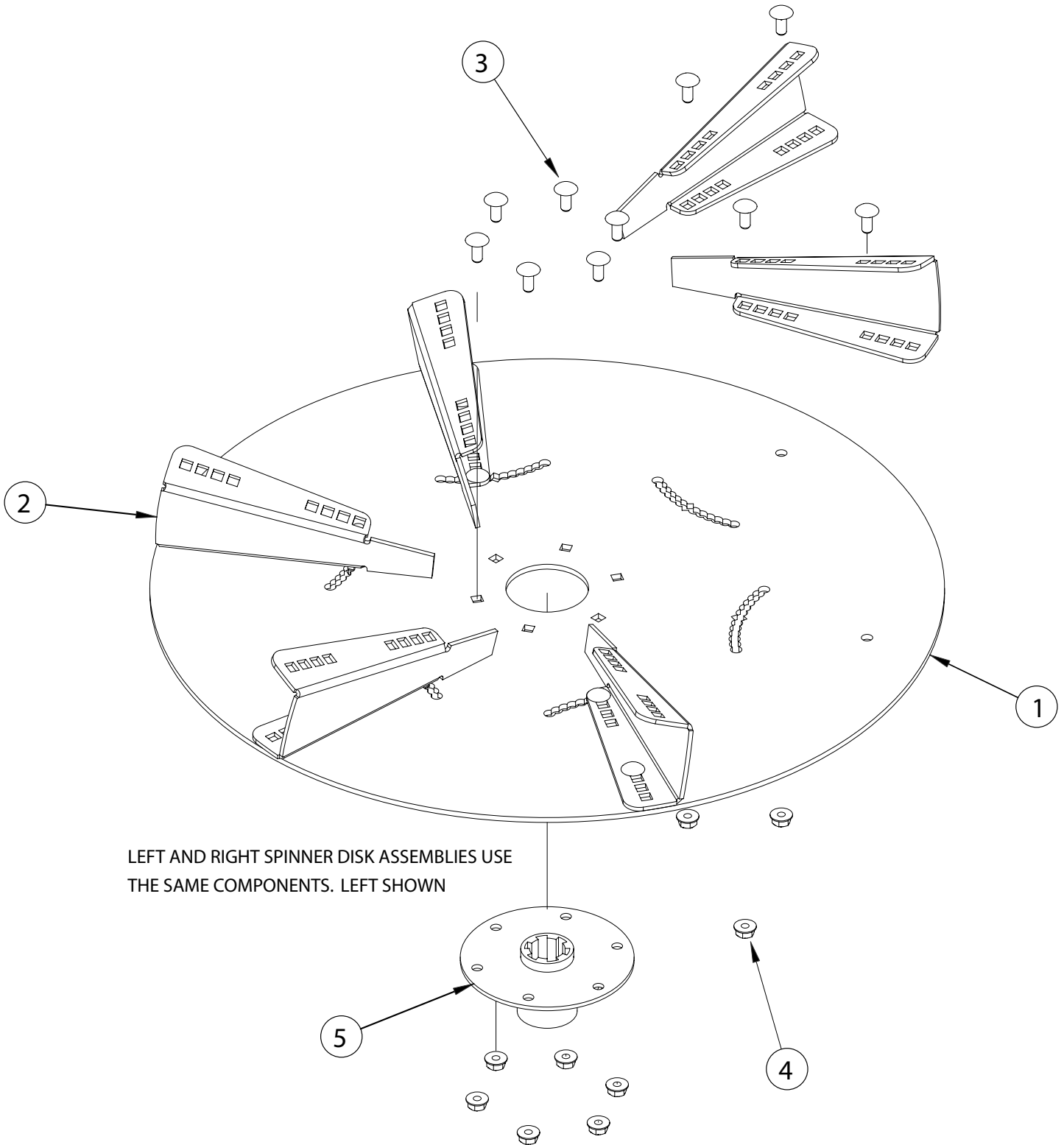
Ref.	Description	414 p/n	412 p/n	411 p/n
1	Panel, Conveyor Floor	13582	10877	10877
2	Strip, Belt Support	13583	11610	11610
3	Strip, Belt Support	13584	10880	10880
4	Strip, Belt Support	13585	10879	10879
5	Rivnut	11569	11569	11569
6	Rivet	10289	10289	10289

SPINNER ASSEMBLY 414, 412, 411



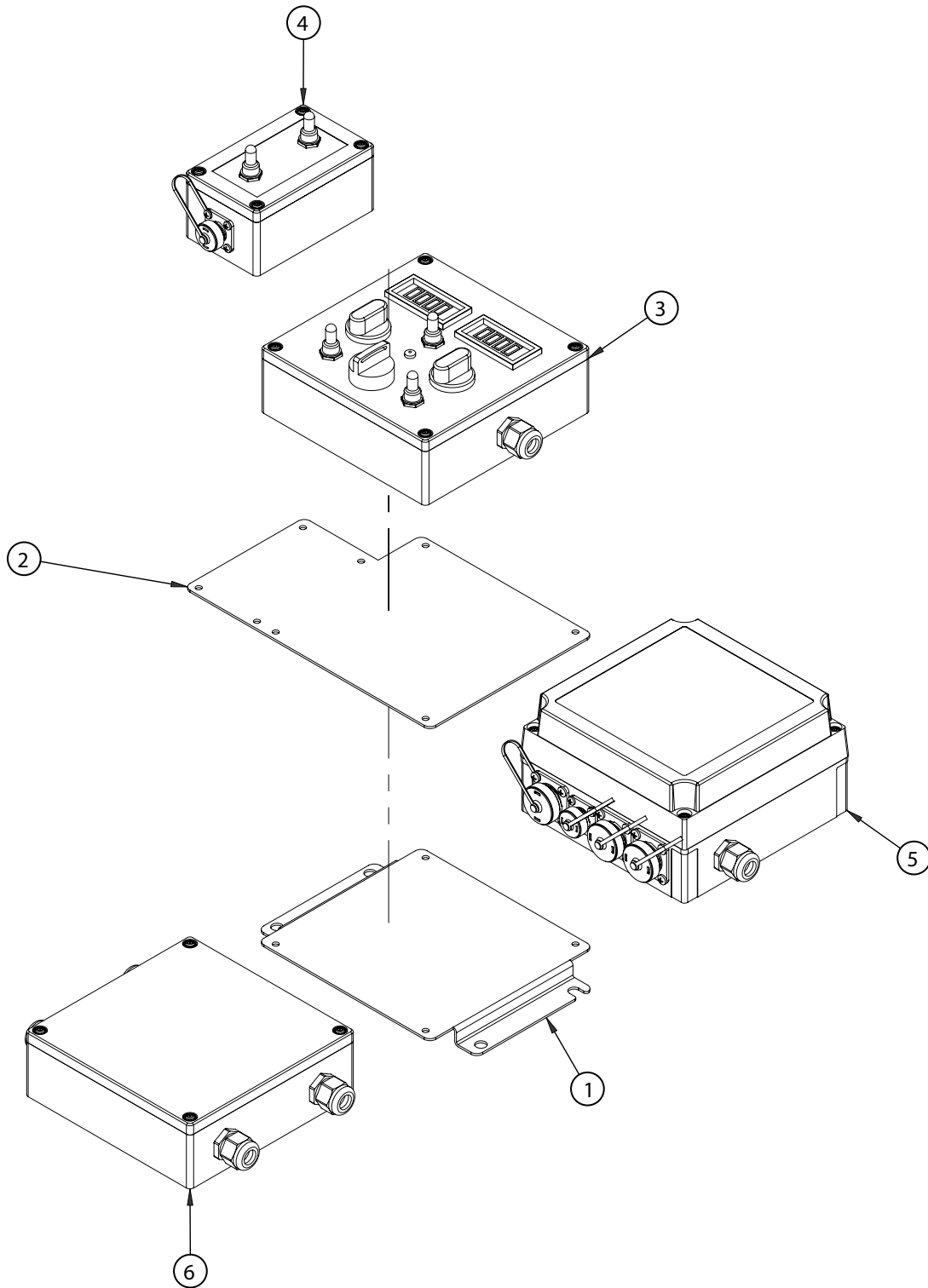
Ref.	Description	414 p/n	412 p/n	411 p/n
1	Spinner Chute	13802	13802	13802
2	Spinner Shaft	10020	10020	10020
3	Bypass Valve	10019	10019	10019
4	Assy, Disk White RH	12546	12546	12546
5	Assy, Disk White LH	12545	12545	12545
6	Assy, Brush	11645	11645	11645
7	Brace, Spinner Shield	12194	12194	12194
8	Shield Mount	10379	10379	10379
9	Screw, Socket Head	73G0540	73G0540	73G0540
10	Screw, Flange Head	35C0412	35C0412	35C0412
11	Screw, Flange Head	45C616	45C616	45C616
12	Nut, Flange Head	89D04	89D04	89D04
13	Spinner Shield	14100	14100	14100
14	Screw, Flange Head	35C0512	35C0512	35C0512
15	Nut, Flange Head	55D05	55D05	55D05
16	Holder, Spinner Motor	13251	13251	13251
17	Bearing	13255	13255	13255
18	Screw, Flange Head	35C0516	35C0516	35C0516
19	Tube, Spinner Bearing	13256	13256	13256
20	Screw, Flange Head	35C0620	35C0620	35C0620
21	Plate, Filler Shield LH	14101	14101	14101
22	Plate, Filler Shield RH	10361	10361	10361

SPINNER 414, 412, 411



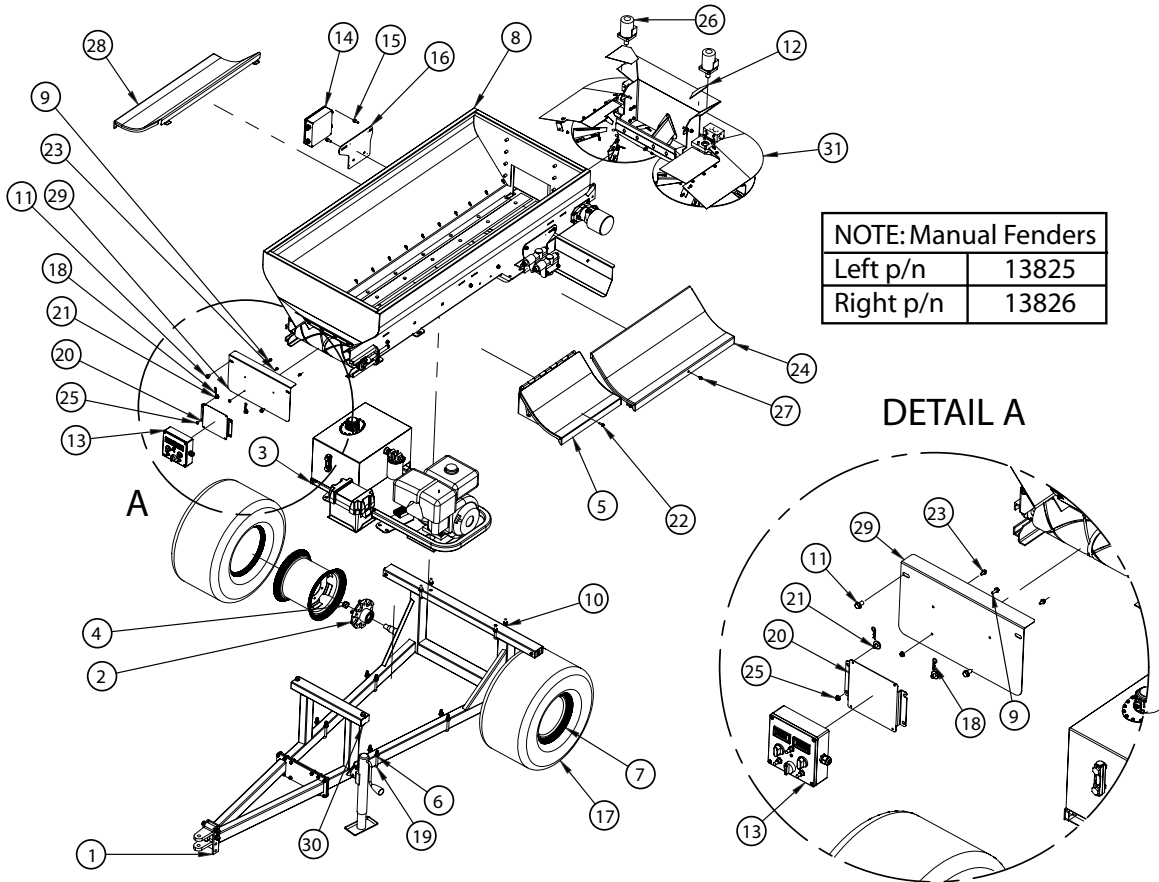
Ref.	Description	414 p/n	412 p/n	411 p/n
1	Spinner Disk	12543	12543	12543
2	Blade, Spinner	12539	12539	12539
3	Bolt, Carrage	10C0512	10C0512	10C0512
4	Nut, Flange Head	55D05	55D05	55D05
5	Hub	13954	13954	13954

CONTROL BOX AND MOUNT 414, 412, 411



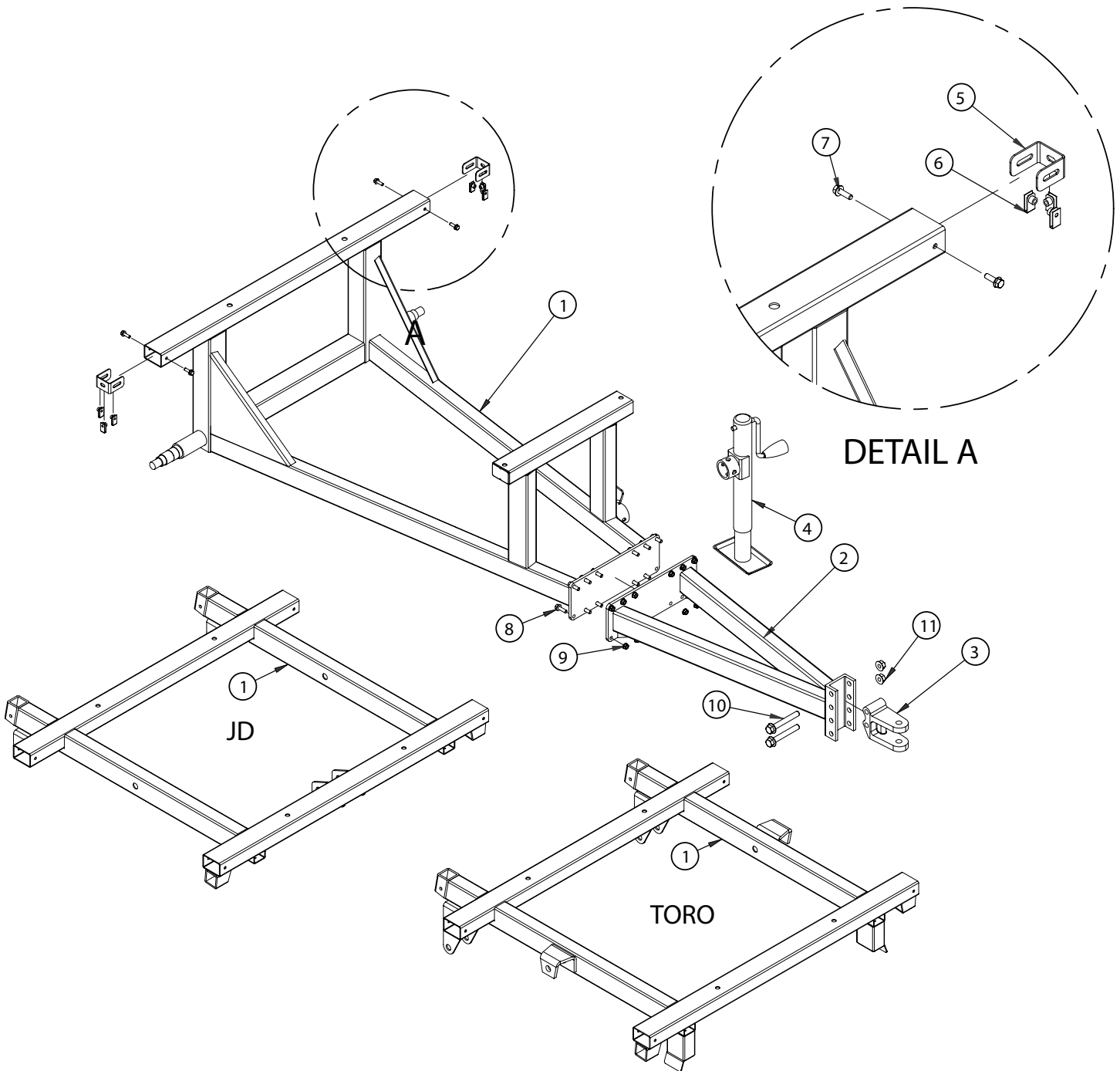
Ref.	Description	414 p/n	412 p/n	411 p/n
1	Bracket, Control Box	14023	14023	14023
2	Plate, Extension	14105	14105	14105
3	Control Box	14061	14061	14061
4	Auxiliary Control Box	14113	14113	14113
5	Brake Box And Relay	14304	14304	14304
6	Controller	13846	13846	13846

FULL MACHINE 410



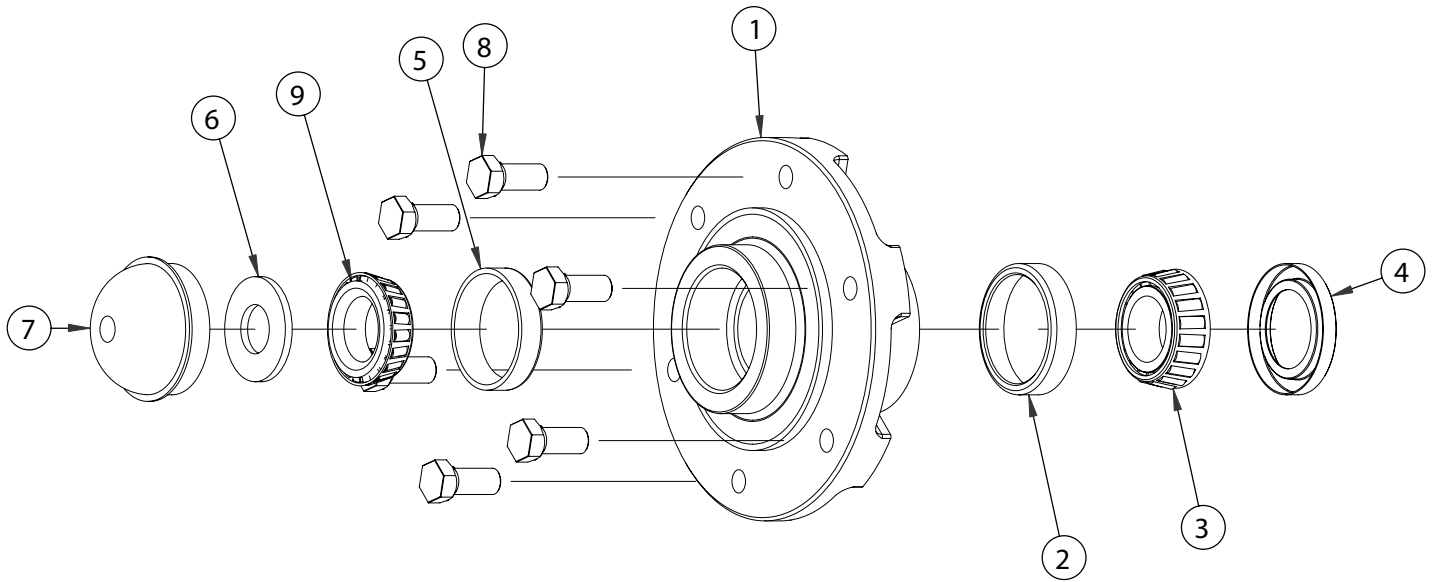
Ref.	Description	410 p/n	410 (JD) p/n	410 (TORO) p/n
1	Frame Assembly	14305	14314	14315
2	Hub, Idler Assembly	10050	N/A	N/A
3	Power Package	14022	N/A	N/A
4	Nut, Castle	4D14	N/A	N/A
5	Hood Assembly	13937	N/A	N/A
6	Nut, Flanged	89D08	89D08	89D08
7	Wheel	10051	N/A	N/A
8	Hopper	14062	14062	14062
9	Screw, Flange Head	35C0412	35C0412	35C0412
10	U-Bolt	10189	10189	10189
11	Screw, Flange Head	35C0612	35C0612	35C0612
12	Strip, Filler	10374	10374	10374
13	Control Box	14061	14061	14061
14	Auxillary Control Box	13846	13846	13846
15	Screw, Flange Head	35C0616	35C0616	35C0616
16	Bracket, Box Mount	14094	14094	14094
17	Tire	10052	N/A	N/A
18	Pin, Hitch Clip	10301	10301	10301
19	U-Bolt	10186	N/A	N/A
20	Bracket, Mount	14023	14023	14023
21	Mount, Control Box	10317	10317	10317
22	Bolt, Flange Head	35C0516	N/A	N/A
23	Screw, Flange Head	35C0412	35C0412	35C0412
24	Fender - Left Side	13805	13811	13811
25	Nut, Flanged	89D04	89D04	89D04
26	Motor, Hydraulic	10018	10018	10018
27	Screw, Flange Head	35C0510	35C0510	35C0510
28	Fender - Right Side	13806	13812	13812
29	Front Shield	11615	11033	11033
30	Screw, Flange Head	35C0848	35C0848	35C0848
31	Spinner Assembly	13804	13804	13804

FRAME ASSEMBLY 410



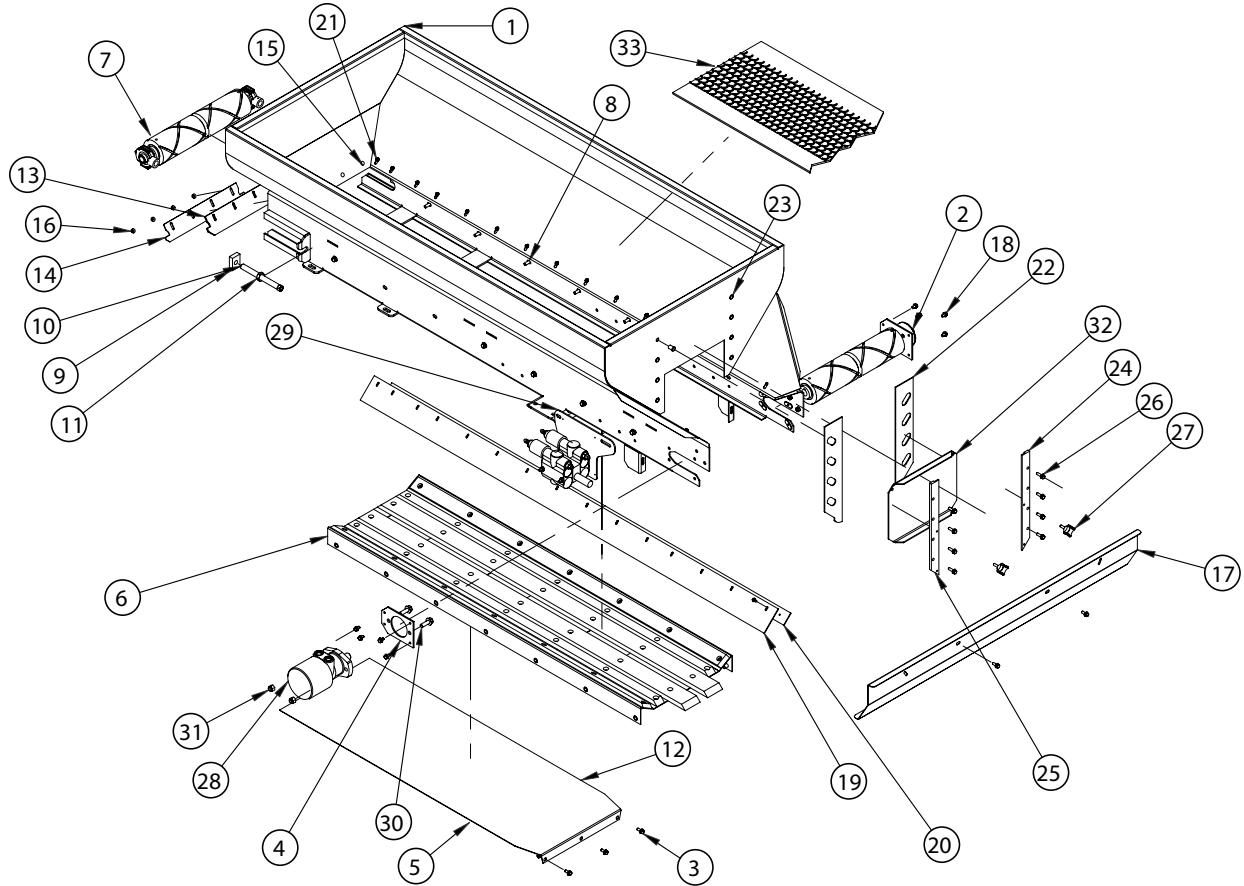
Ref.	Description	410 p/n	410 (JD) p/n	410 (TORO) p/n
1	Frame	13772	14013	13815
2	Tow Bar	11582	N/A	N/A
3	Hitch, Clevis	10004	N/A	N/A
4	Jack, Side Swivel	10003	N/A	N/A
5	Bracket, Mount	11840	11840	11840
6	Nut, Speed	11841	11841	11841
7	Screw, Flange Head	35C0516	35C0516	35C0516
8	Screw, Flange Head	35C0620	N/A	N/A
9	Nut, Flanged	89D06	N/A	N/A
10	Bolt, Flange Head	35C1072	N/A	N/A
11	Nut, Flanged	89D10	N/A	N/A

WHEEL HUB 410



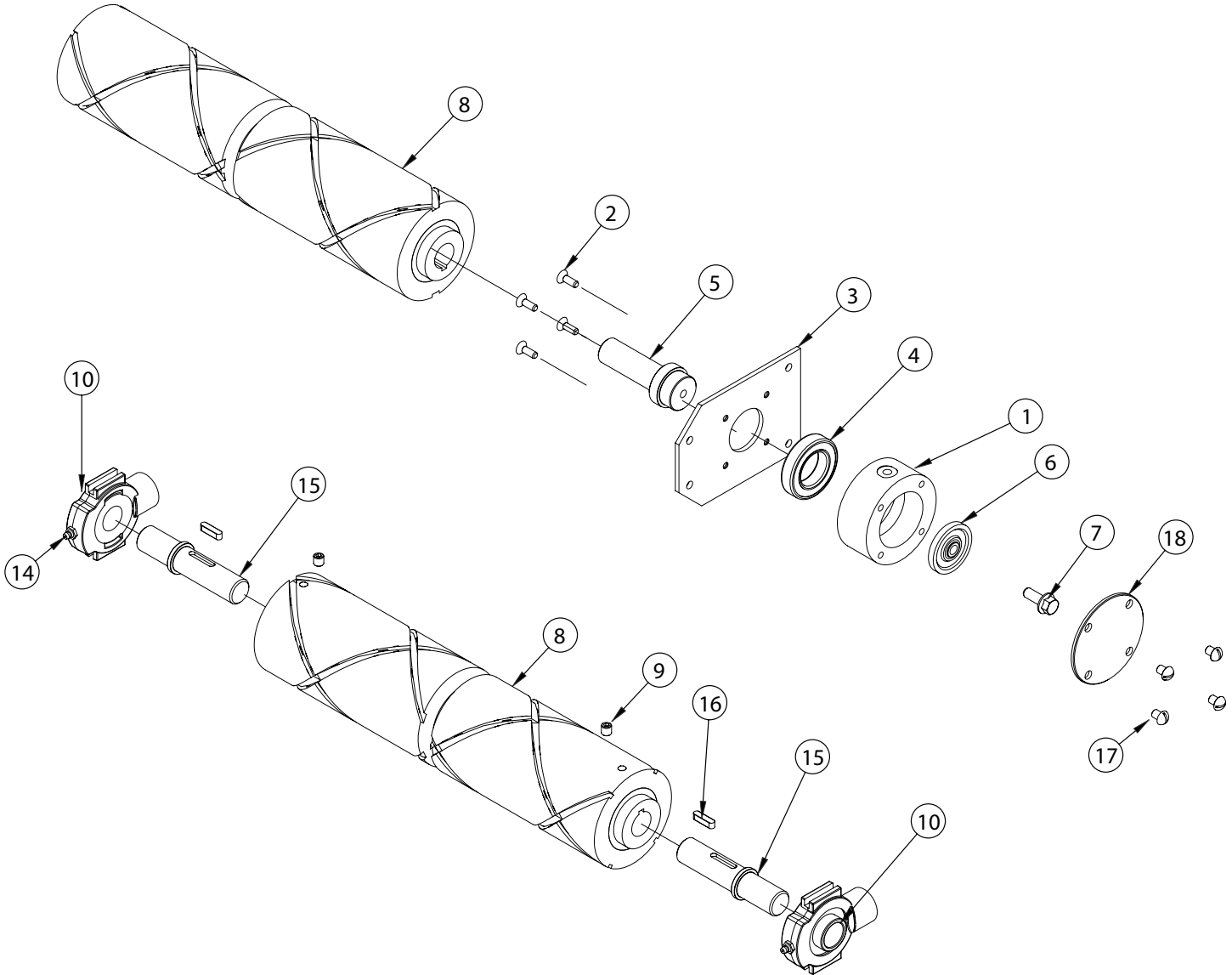
Ref.	Description	410 p/n	410 (JD) p/n	410 (TORO) p/n
1	Hub	12659	N/A	N/A
2	Cup, Inner	10203	N/A	N/A
3	Bearing, Inner	10205	N/A	N/A
4	Seal	10208	N/A	N/A
5	Cup, Outer	10204	N/A	N/A
6	Washer	27E14	N/A	N/A
7	Hub Cap	10207	N/A	N/A
8	Lug Bolt	10209	N/A	N/A
9	Bearing, Outer	10206	N/A	N/A

HOPPER ASSEMBLY 410



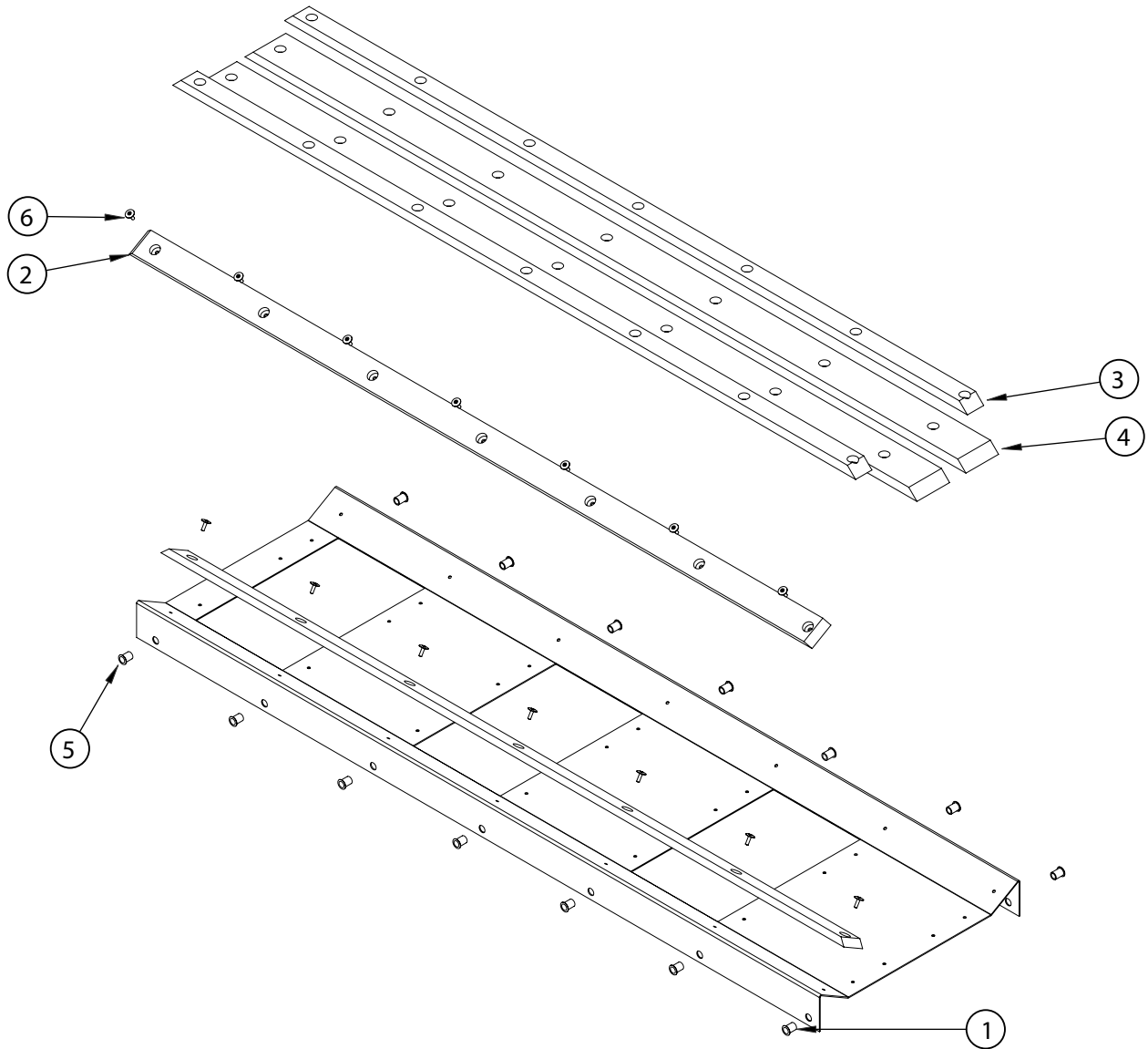
Ref.	Description	410 p/n	410 (JD) p/n	410 (TORO) p/n
1	Hopper	13709	13709	13709
2	Roller Assembly	13889	13889	13889
3	Screw, Flange Head	35C0512	35C0512	35C0512
4	Plate, Motor Mount	13769	13769	13769
5	Nut	89D05	89D05	89D05
6	Conveyor Pan Assembly	10876	10876	10876
7	Front Roller Assembly	10291	10291	10291
8	Screw, Flange Head	35C0616	35C0616	35C0616
9	Nut, Belt Adjuster	10015	10015	10015
10	Adjustment Screw	10016	10016	10016
11	Nut, Jam	7D12	7D12	7D12
12	Panel, Belly Pan	11637	11637	11637
13	Seal, Front End	13479	13479	13479
14	Plate, Seal Backer	13478	13478	13478
15	Bolt	10C0412	10C0412	10C0412
16	Nut, Flange	89D04	89D04	89D04
17	Shield, Rear	10009	10009	10009
18	Cap Screw, Hex Head	35C0508	35C0508	35C0508
19	Wiper, Rubber	13535	13535	13535
20	Retainer, Wiper	13534	13534	13534
21	Bolt	SS84G2516	SS84G2516	SS84G2516
22	Seal, Rear Door	13553	13553	13553
23	Rivnut	11570	11570	11570
24	Track, Rear Door RH	13367	13367	13367
25	Track, Rear Door LH	13368	13368	13368
26	Bolt	35C0516	35C0516	35C0516
27	Knob, Rear Door Lock	10012	10012	10012
28	Motor, Conveyor	10201	10201	10201
29	Valve Assembly	14043	14043	14043
30	Screw, Flange Head	35C0824	35C0824	35C0824
31	Nut, Nylock	59D08	59D08	59D08
32	Panel, Rear Flow Door	14469	14469	14469
33	Belt	13587	13587	13587

DRIVE ROLLERS 410



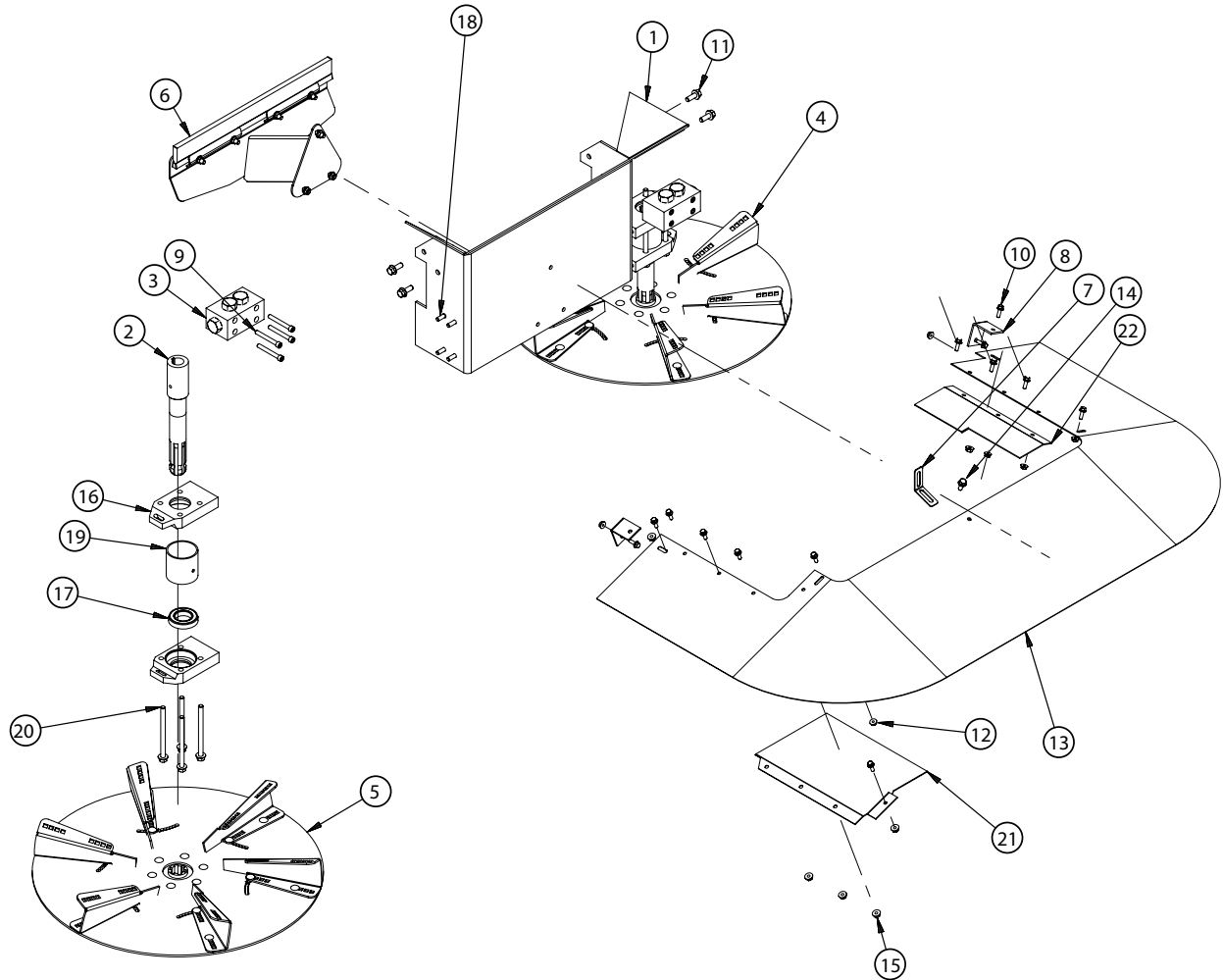
Ref.	Description	410 p/n	410 (JD) p/n	410 (TORO) p/n
1	Bearing Mount	13887	13887	13887
2	Screw, Countersunk	9G0512	9G0512	9G0512
3	Plate, Bearing Mount	13768	13768	13768
4	Bearing	13255	13255	13255
5	Roller Insert	13212	13212	13212
6	Magnetic Wheel	14216	14216	14216
7	Screw, Flange Head	35C0616	35C0616	35C0616
8	Roller, Main Conveyor	13211	13211	13211
9	Set Screw	15G0606	15G0606	15G0606
10	Bearing Assembly	13035	13035	13035
11	Coupler, Drive Roller	10036	10036	10036
12	Guard	10037	10037	10037
13	Chain Coupler	10035	10035	10035
14	Grease Fitting	10H25	10H25	10H25
15	Roller Insert	13213	13213	13213
16	Key	7J3016	7J3016	7J3016
17	Screw	14097	14097	14097
18	Cover	13706	13706	13706

CONVEYOR 410



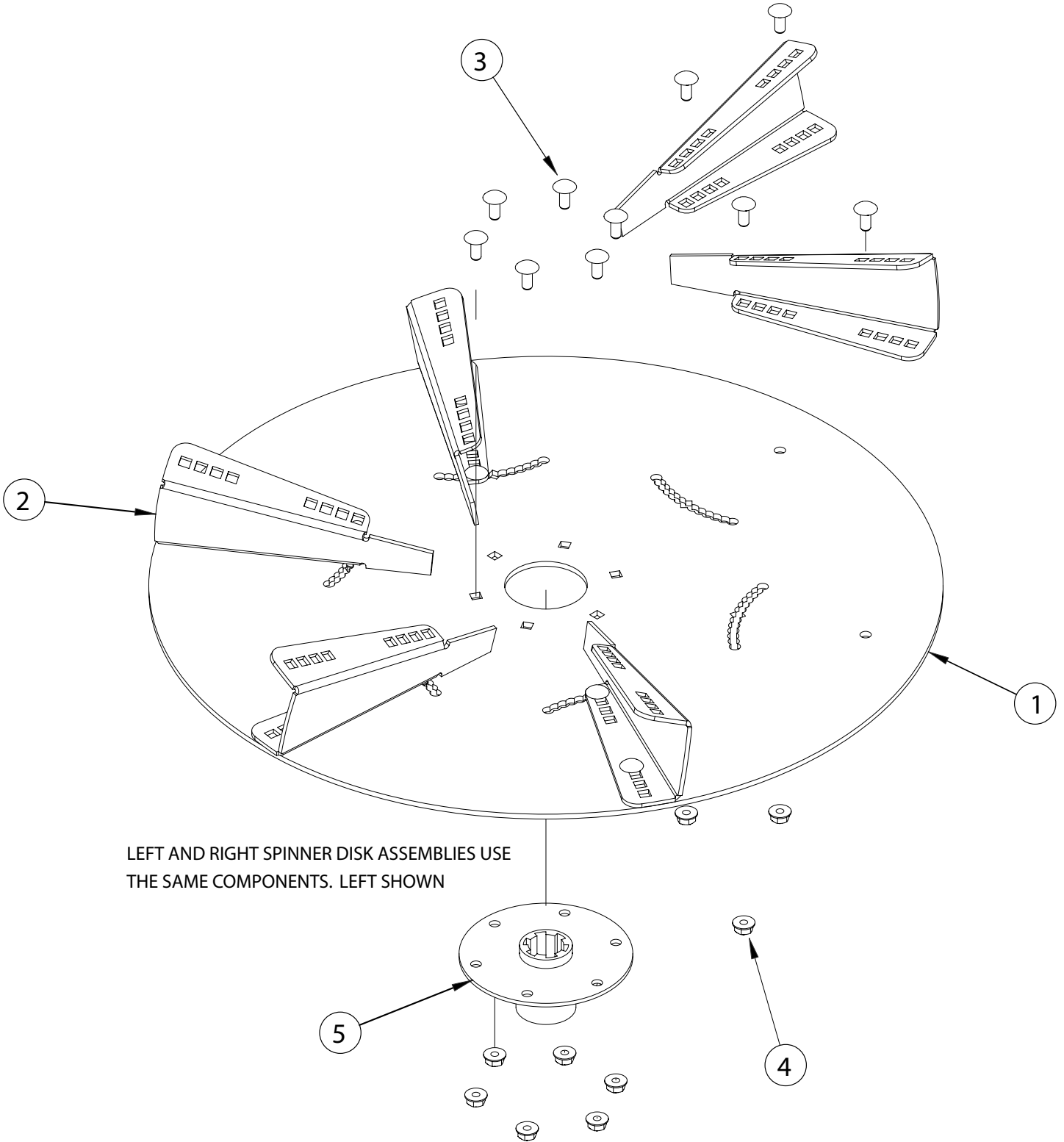
Ref.	Description	410 p/n	410 (JD) p/n	410 (TORO) p/n
1	Panel, Conveyor Floor	10877	10877	10877
2	Strip, Belt Support	11610	11610	11610
3	Strip, Belt Support	10880	10880	10880
4	Strip, Belt Support	10879	10879	10879
5	Rivnut	11569	11569	11569
6	Rivet	10289	11683	10289

SPINNER ASSEMBLY 410



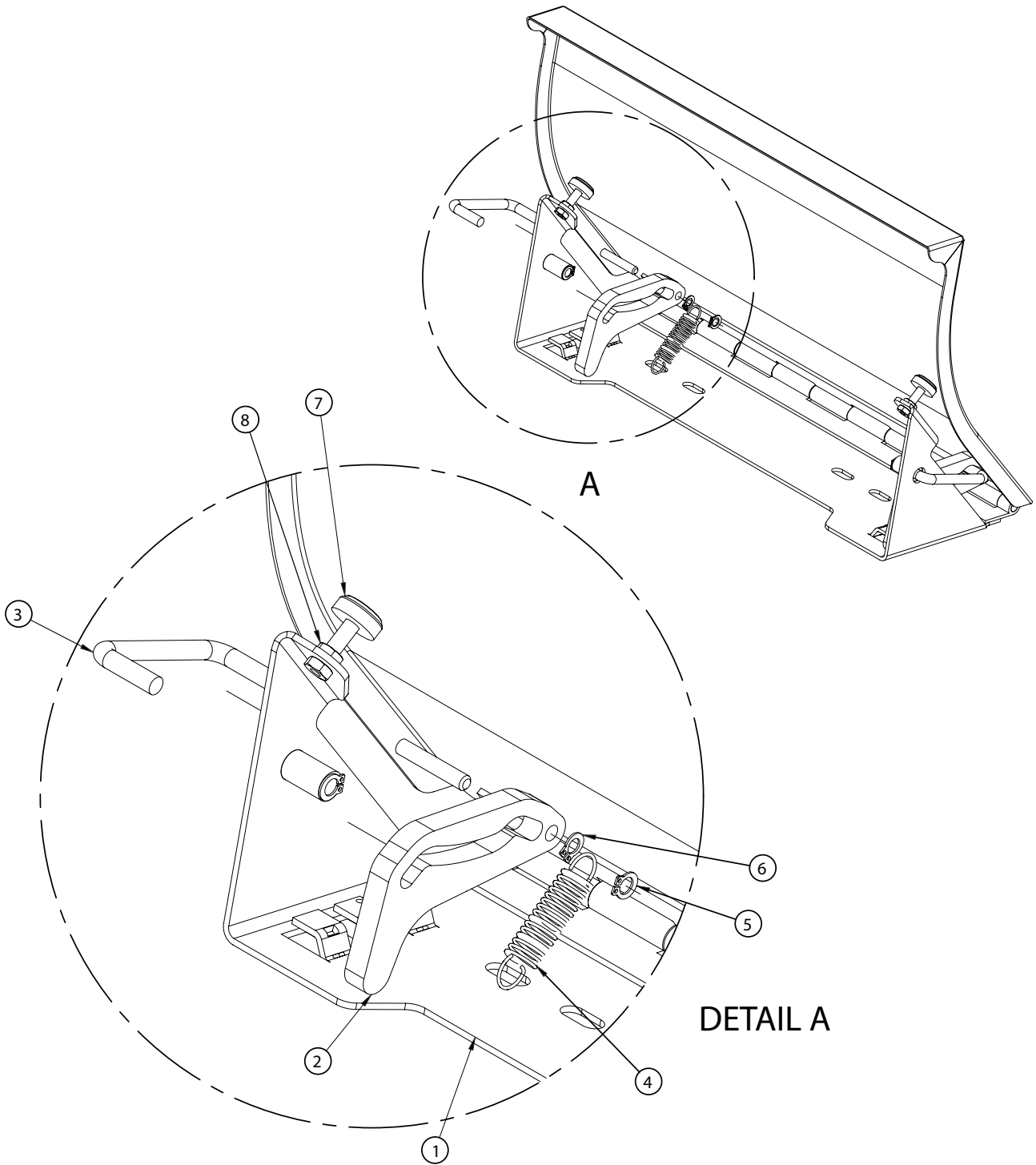
Ref.	Description	410 p/n	410 (JD) p/n	410 (TORO) p/n
1	Spinner Chute	13802	13802	13802
2	Spinner Shaft	10020	10020	10020
3	Bypass Valve	10019	10019	10019
4	Assy, Disk White RH	12546	12546	12546
5	Assy, Disk White LH	12545	12545	12545
6	Assy, Brush	11645	11645	11645
7	Brace, Spinner Shield	12194	12194	12194
8	Shield Mount	10379	10379	10379
9	Screw, Socket Head	73G0540	73G0540	73G0540
10	Screw, Flange Head	35C0412	35C0412	35C0412
11	Screw, Flange Head	45C616	45C616	45C616
12	Nut, Flange Head	89D04	89D04	89D04
13	Spinner Shield	14100	14100	14100
14	Screw, Flange Head	35C0512	35C0512	35C0512
15	Nut, Flange Head	55D05	55D05	55D05
16	Holder, Spinner Motor	13251	13251	13251
17	Bearing	13255	13255	13255
18	Screw, Flange Head	35C0516	35C0516	35C0516
19	Tube, Spinner Bearing	13256	13256	13256
20	Screw, Flange Head	35C0620	35C0620	35C0620
21	Plate, Filler Shield LH	14101	14101	14101
22	Plate, Filler Shield RH	10361	10361	10361

SPINNER 410



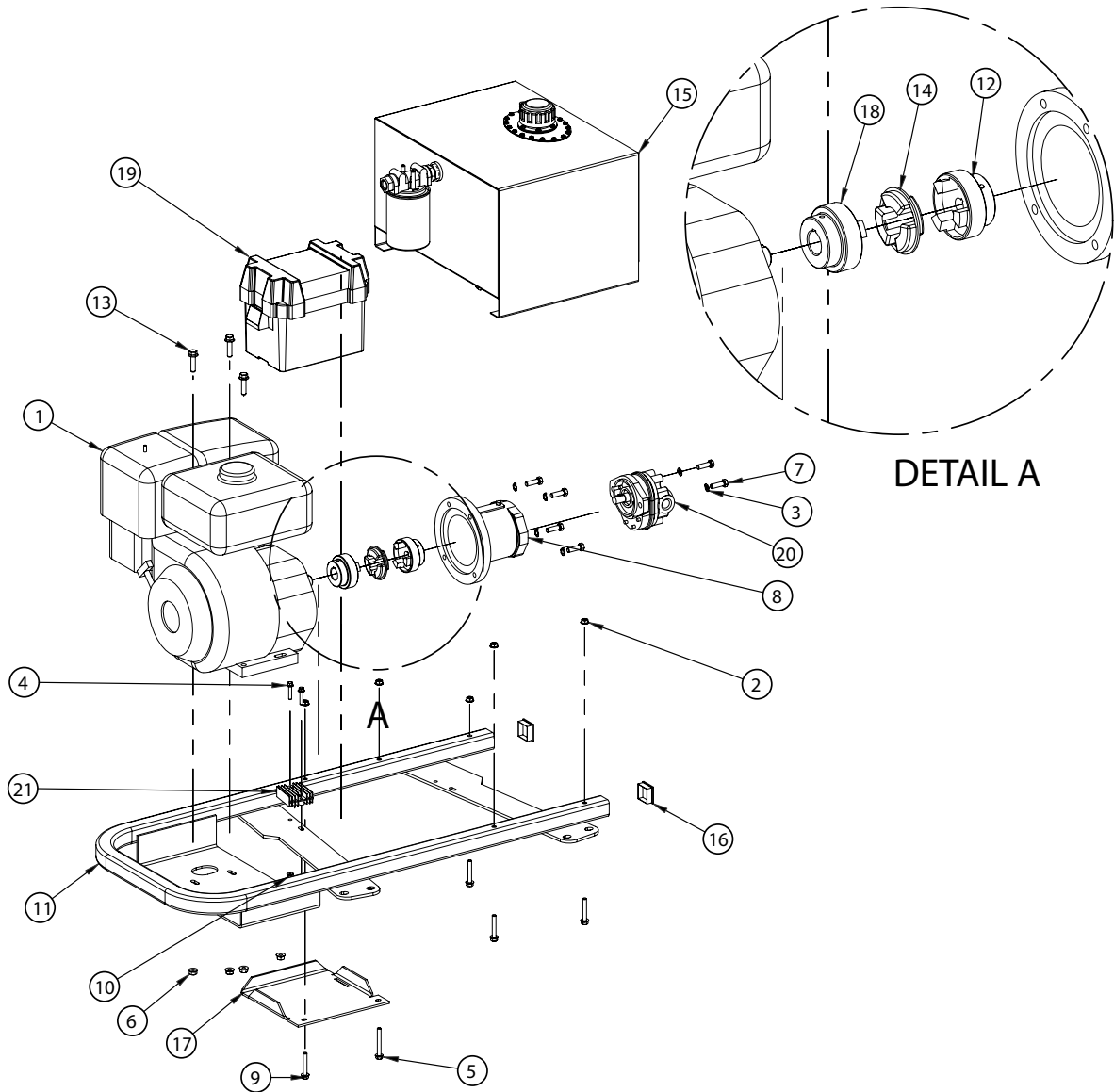
Ref.	Description	410 p/n	410 (JD) p/n	410 (TORO) p/n
1	Spinner Disk	12543	12543	12543
2	Blade, Spinner	12539	12539	12539
3	Bolt, Carrage	10C0512	10C0512	10C0512
4	Nut, Flange Head	55D05	55D05	55D05
5	Hub	13954	13954	13954

HOOD ASSEMBLY 410



Ref.	Description	410 p/n	410 (JD) p/n	410 (TORO) p/n
1	Hood	13936	13936	13936
2	Cam, Hood	12063	12063	12063
3	Hood Latch	12065	12065	12065
4	Spring, Extension	12072	12072	12072
5	Snap Ring	12069	12069	12069
6	Snap Ring	12070	12070	12070
7	Bumper, Rubber	12068	12068	12068
8	Spring, Extension	7D05	7D05	7D05

ENGINE PACKAGE 410



Ref.	Description	410 p/n	410 (JD) p/n	410 (TORO) p/n
1	Honda Engine	11729	11729	11729
2	Nut	89D05	89D05	89D05
3	Washer, Lock	26E06	26E06	26E06
4	Screw, Flange Head	35C0420	35C0420	35C0420
5	Bolt	35C0540	35C0540	35C0540
6	Nut	89D06	89D06	89D06
7	Bolt	1C0620	1C0620	1C0620
8	Mount, Pump	10202	10202	10202
9	Screw, Flange Head	35C0532	35C0532	35C0532
10	Nut	83D04	83D04	83D04
11	Engine Frame	11728	11728	11728
12	Coupler, Half	11731	11731	11731
13	Screw, Flange Head	35C0620	35C0620	35C0620
14	Insert	10590	10590	10590
15	Hydraulic Tank	11669	11669	11669
16	Plug, End Cap	11730	11730	11730
17	Bracket, Battery Box	11621	11621	11621
18	Coupler	10589	10589	10589
19	Box, Battery	11661	11661	11661
20	Pump	11673	11673	11673
21	Rectifier	11944	11944	11944

WARRANTY

DAKOTA PEAT & EQUIPMENT is hereinafter called DAKOTA™.

(A) Warranty.

DAKOTA™ warrants all products manufactured by it to be free from defects in material and manufactured at the time of shipment and for twelve (12) months from date of delivery to customer. DAKOTA™ will furnish to the dealer, without charge, f.o.b. East Grand Forks, Minnesota, replacements for such parts as DAKOTA™ finds to have been defective at the time of shipment; or at DAKOTA™'s option, will make or authorize repairs to such parts, provided that, upon request, such parts are returned, transportation prepaid, to the factory at East Grand Forks, Minnesota.

This warranty shall not apply to any product that has been subjected to misuse, misapplication, neglect (including but not limited to improper maintenance), accident, improper installation, modification (including but not limited to use of unauthorized parts or attachments), adjustment, or repair. Engines, motors, and any accessories furnished with DAKOTA™'s products, but which are not manufactured by DAKOTA™, are not warranted by DAKOTA™ but are sold only with the express warranty, if any, of the manufacturers thereof. **THE FOREGOING IS IN LIEU OF ALL OTHER WARRANTIES, WHETHER EXPRESS OR IMPLIED (INCLUDING THOSE OF MERCHANTABILITY AND FITNESS OF ANY PRODUCT FOR A PARTICULAR PURPOSE), AND OF ANY OTHER OBLIGATION OF LIABILITY ON THE PART OF DAKOTA.**

(B) Limitation of Liability.

It is expressly understood that DAKOTA™'s liability for its products, whether due to breach of warranty, negligence, strict liability, or otherwise, is limited to the furnishing of such replacement parts, and DAKOTA™ will not be liable for any other injury, loss, damage, or expense, whether direct or consequential, including but not limited to loss of use, income, profit, or production, or increased cost of operation, or spoilage of or damage to material, arising in connection with the sale, installation, use, or inability to use, or the repair or replacement of, DAKOTA™'s products.

Any operation expressly prohibited in the operating instructions or manuals furnished with the machine, or any adjustment, or assembly procedure not recommended or authorized in the operating or service instructions shall void such warranty.

(C) Registration.

THIS WARRANTY IS VOID UNLESS YOUR DEALER COMPLETED AND RETURNED A "NEW PRODUCT REGISTRATION AND WARRANTY" CARD TO DAKOTA™ WITHIN 30 DAYS AFTER DELIVERY OF UNIT TO CUSTOMER.

No Parts shall be returned under warranty unless a Return Goods Authorization (RGA) is obtained from DAKOTA™.

ALWAYS GIVE PART NAME, NUMBER AND MACHINE SERIAL NUMBER WHEN ORDERING PARTS.

NOTE: DAKOTA reserves the right to make changes to design or construction without obligation to incorporate such changes in equipment previously sold.

The tire manufacturer's warranty supplied with your Turf Tender may not apply outside the U.S.

YOUR DEALER IS RESPONSIBLE FOR COMPLETION OF THE PRODUCT REGISTRATION CARD AND RETURNING IT TO DAKOTA AS SOON AS YOU TAKE DELIVERY OF YOUR TURF TENDER.

D) Parts, Service, and Warranty

Contact your local dealer for parts, service, and warranty.

**Warranty will be denied if the registration
and warranty card is not sent in within 30
days after delivery.**