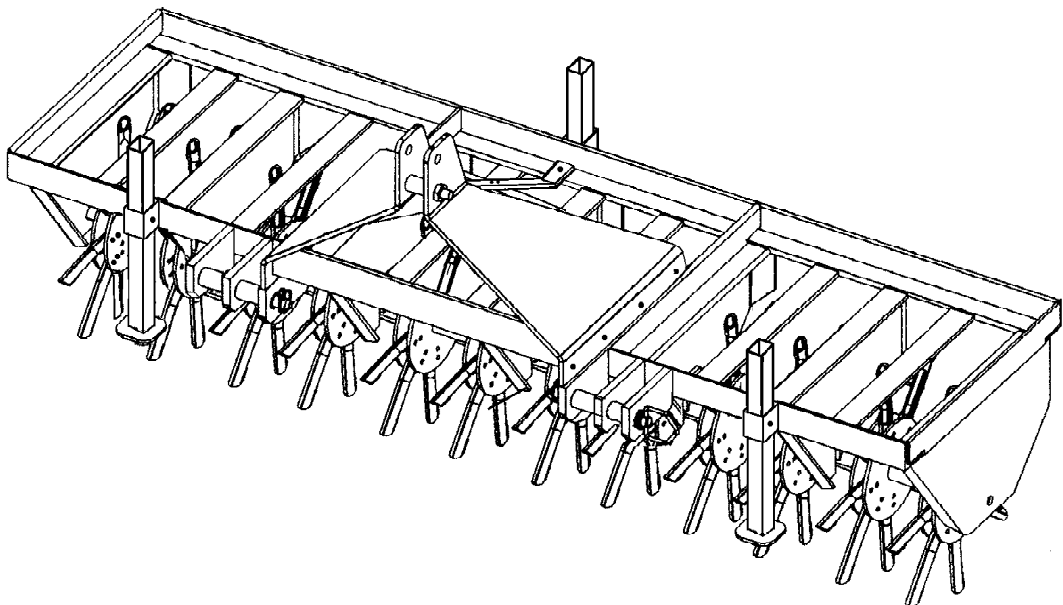


ROTOMECH

Operator's Manual

CORE AERATOR

BCA-260 & BCA-272



The operator's manual is a technical service guide and must always accompany the machine.

SAFETY

Take note! This safety alert symbol found throughout this manual is used to call your attention to instructions involving your personal safety and the safety of others. Failure to follow these instructions can result in injury or death.



*This symbol means:
ATTENTION!
BECOME ALERT!
YOUR SAFETY IS INVOLVED!*

Signal Words

Note the use of the signal words DANGER, WARNING and CAUTION with the safety messages. The appropriate signal words for each have been selected using the following guidelines:



DANGER: Indicates an imminently hazardous situation that, if not avoided, will result in death or serious injury.



WARNING: Indicates a potentially hazardous situation that, if not avoided, could result in death or serious injury, and includes hazards that are exposed when guards are removed. It may also be used to alert against unsafe practices.



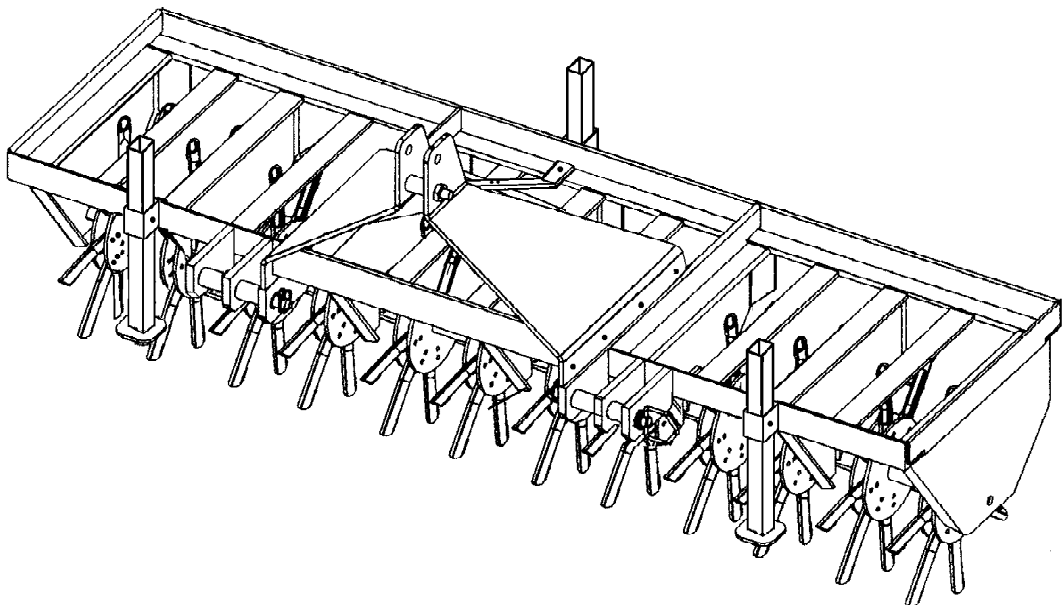
CAUTION: Indicates a potentially hazardous situation that, if not avoided, may result in minor or moderate injury.

ROTOMECH

Operator's Manual

CORE AERATOR

BCA-260 & BCA-272



The operator's manual is a technical service guide and must always accompany the machine.

INDEX

1 - GENERAL INFORMATION	5
1.01 - General	5
1.02 - Model and Serial Number ID	5
1.03 - Assembly Instructions	6
2 - SAFETY PRECAUTIONS	7
2.01 - Preparation	7
2.02 - Starting and Stopping	8
2.03 - Messages and Signs	8
3 - OPERATION	10
3.01 - Operational Safety	10
3.02 - Set Up	12
3.03 - Pre-Operational Check	12
3.04 - Attaching to the Tractor	12
3.05 - Start Up	13
3.06 - Working Speed	13
3.07 - Operating Techniques	14
3.08 - Uneven Terrain	14
3.09 - Transport	14
4 - MAINTENANCE	15
4.01 - Maintenance Safety	15
4.02 - Service	16
5 - REPAIR PROCEDURES	18
5.01 - Suggested Spare Parts	18
5.02 - Storage	18
6 - TROUBLESHOOTING	19
7 - PRE-DELIVERY CHECKLIST	20
8 - WARRANTY	21

1 - GENERAL INFORMATION

Thank you and congratulations for having chosen our implement. Your new core aerator is a technologically advanced machine constructed of high quality, sturdy components that will fulfil your working expectations. Read this manual carefully. It will instruct you on how to operate and service your implement safely and correctly. Failure to do so could result in personal injury and/or in equipment damage.

1.01 - General



CAUTION: Unless otherwise specified, all hardware is metric. Use only metric tools on metric hardware. Other tools that do not fit properly can slip and cause injury.



CAUTION: Right hand and left hand sides of the implement are determined by facing in the direction the implement will travel when going forward (see fig. 2).

1.02 - Model and Serial Number ID

Attached to the frame is an ID plate showing the model and serial number. Record your implement model and serial number in the space provided below. Your dealer needs this information to give you prompt, efficient service when you order parts.

 ROTOMECC spa 37054 NOGARA (VERONA) ITALY Tel.: +39.0442.510400		
MOD.	YEAR	
N.	KW.	KG.

Carefully read the warranty section¹, detailing coverage and limitations of this warranty. **Warranty** is provided for customers who operate and maintain their equipment as described in this manual. Warranty registration is accomplished by the dealer completing and forwarding, within 14 days from the date of purchase, the **Warranty Registration Form** to the Company, along with a copy of the dealer's invoice. It is in your best interest to insure that this has been done.

¹ See chapter 8 - Warranty.

Warranty does not cover the following:

1. Cleaning, transporting, mailing and service call charges.
2. Normal wear items such as spoons, bushings, etc.
3. Depreciation or damage caused by normal wear, accidents, improper maintenance, improper protection or improper use.
4. The use of non-original spare parts and accessories.

Your Authorised Company Dealer has genuine parts in stock. Only these approved replacement parts should be used.

This limited warranty covers defective material and workmanship. The cost of normal maintenance or repairs for accidents or improper use and related labour will be borne by the owner.

1.03 - Assembly Instructions

Note: Refer to the Parts Manual for an illustration of the parts referenced in the instructions below.

1. Remove top and side panels from crate. If unit was shipped with weight canisters please remove them before trying to remove the panels.
2. Remove "A" frame from crate. It is wired to the machine for transporting purposes.
3. Remove main frame of core aerator using an overhead chain hoist. Be sure to attach the chain of the hoist to the hitch pins.

Note: Use caution while removing unit from the crate. It is shipped upside down and will need to be turned over before placing on the ground. Lifting the unit from the hitch pins allows the machine to rotate while being raised and will help place machine upright.

4. The bolts (**see Parts Manual**) that secure the "A" frame to the main frame of the machine are shipped mounted in the holes on the main frame. Remove the bolts and nuts.
5. Mount the "A" frame onto the mainframe and secure it with the bolts and nuts that were removed during the step 4.



CAUTION: Stand clear of bands when cutting as they could be under sufficient tension to cause them to fly loose. Take care in removing bands and wire. They often have extremely sharp edges and cut very easily.

2 - SAFETY PRECAUTIONS

Safety is the primary concern in the design and manufacture of our products. Unfortunately our efforts to provide safe equipment can be wiped out by a single careless act of an operator.

In addition to the design and configuration of equipment, hazard control and accident prevention are dependent upon the awareness, concern, prudence and proper training of personnel involved in the operation, transport, maintenance and storage of equipment. It is the operator's responsibility to read and understand all safety and operating instructions in the manual and to follow these.

Allow only properly trained personnel to operate the implement. Working with unfamiliar equipment can lead to careless injuries. Read this manual, and the manual for your tractor, before assembly or operating, to acquaint yourself with the machines. It is the owner's responsibility, if this machine is used by any person other than yourself, is loaned or rented, to make certain that the operator, prior to operating, reads and understands the operator's manuals and is instructed in safe and proper use.

2.01 - Preparation



1. Before operating equipment read and understand the operator's manual and the safety signs (**see fig. 2**).
2. Thoroughly inspect the implement before initial operation to assure that all packaging materials, i.e. wires, bands, and tape have been removed.
3. Personal protection equipment including hard hat, safety glasses, safety shoes, and gloves are recommended during assembly, installation, operation, adjustment, maintaining and/or repairing the implement.
4. Operate the implement only with a tractor equipped with an approved Roll-Over-Protective-System (ROPS). Always wear your seat belt. Serious injury or even death could result from falling off the tractor.
5. Clear area to be cut of stones, branches or other debris that might be thrown, causing injury or damage.
6. Operate only in daylight or good artificial light.
7. Ensure implement is properly mounted, adjusted and in good operating condition.
8. Ensure that all safety decals are properly installed and in good condition.

2.02 - Starting and Stopping



1. Be sure that no one is near the machine prior to engaging or while the machine is working.
2. Be sure the tractor is in "Neutral" before starting engine.
3. Equipment operating power is ground driven. Know how to stop the tractor quickly in case of an emergency.
4. After striking an obstacle, shut the tractor off, remove key and thoroughly inspect for damage before restarting.

2.03 - Messages and Signs

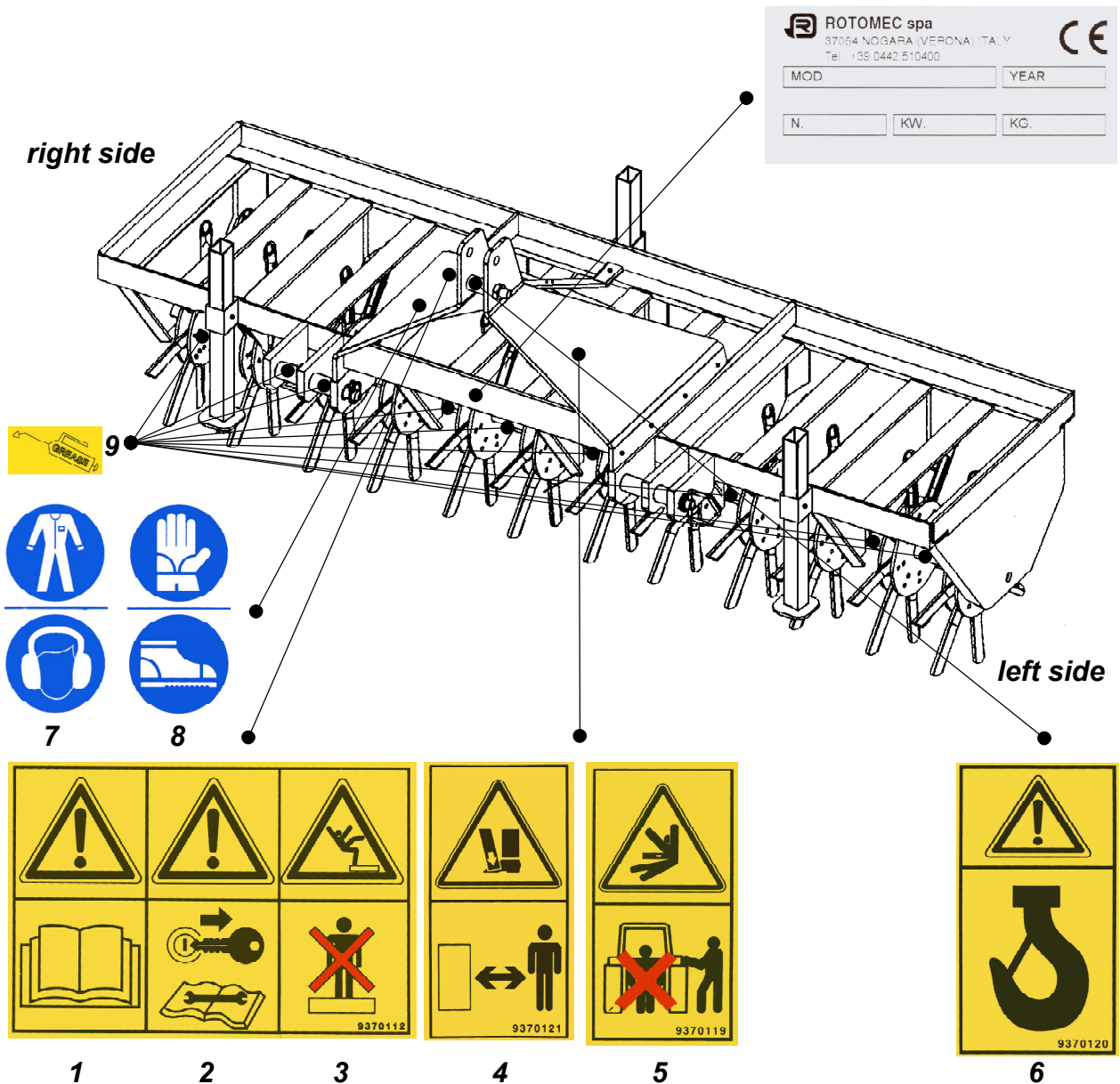


1. Read and adhere to all safety and operating decals on this machine (**see fig. 2**).
2. Before dismounting tractor: allow moving parts to stop, stop engine, set brake and remove the key of unattended equipment.
3. Keep safety decals in place and in good condition.
4. Do not use with bystanders in area.
5. Allow no riders on tractor or implement.
6. Allow moving parts to stop before repair.
7. Securely support implement before working underneath.

Additional warning and operating decals are available at no extra charge. Please specify model and serial number when ordering.

Fig. 2 - Safety decals; replace immediately if damaged.

1. Read this manual carefully.
2. Before maintenance operations, disengage PTO and shut tractor down.
3. Never allow passengers.
4. Keep away; crushing and pinching hazard.
5. Do not stand between tractor and implement when tractor is in gear.
6. Lift point.
7. Wear protective clothing; snug fit work suit and earplugs or earmuffs.
8. Wear protective clothing; safety shoes and gloves.
9. Lubrication points.



3 - OPERATION

The Core Aerator is designed to allow better air and water circulation in grass surfaces, such as lawns, sports fields, municipal parks and golf courses. The Core Aerator uses case hardened closed spoons bolted on rotor flanges that are spaced 16.5 cm. (6.5") between each other. These spoons can remove up to a 7.5 cm. (3") plug. All models have two bronze bushings per rotor flange for increased wear life. This design will ensure an even aeration across the working width of the machine.

The BCA-260 and BCA-272 are designed to be mounted on a category 1 or 2 three point hitch. They are available in 150 and 180 cm. (60" & 72") working width and are compatible with tractors of 20 to 70 horsepower. They work well on extra large lawns and high-traffic areas such as school grounds, municipal parks and sports fields. Eight spoons per hub allow you to penetrate heavy thatch and tough soils to break up soil compaction and revitalise lawns.

Options include: Weight tanks to be mounted on the aerator for particularly compacted soils and solid spoons to be mounted on the rotor for a more moderate aeration. The solid spoons are particularly indicated for soft soils where you wish to aerate without removing the plug of soil.

3.01 - Operational Safety



CAUTION: Our aerators are designed considering safety as the most important aspect and are the safest available in today's market. Unfortunately, human carelessness can override the safety features built into our machines. Injury prevention and work safety, aside from the features on our aerators, are very much due to the responsible use of the equipment. It must always be operated prudently following with great care, the safety instructions laid out in this manual.



1. The use of this equipment is subject to certain hazards which cannot be prevented by mechanical means or product design. All operators of this equipment must read and understand this entire manual, paying particular attention to safety and operating instructions, prior to using.
2. Do not operate the tractor and implement when you are tired, sick or when using medication.
3. Keep all helpers and bystanders at least several feet from the implement. Only properly trained people should operate this machine.
4. Accidents are most likely to occur with machines that are loaned or rented to someone who has not read the operator's manual and is not familiar with the implement.

5. Always stop the tractor, set brake, shut off the tractor engine, remove the ignition key, lower implement to the ground and allow moving parts to come to a complete stop before dismounting tractor. Never leave equipment unattended with the tractor running.
6. Never place hands or feet under implement with tractor engine running or before you are sure all motion has stopped. Stay clear of all moving parts.
7. Do not reach or place yourself under equipment until it is blocked securely.
8. Do not allow riders on the implement or tractor at any time. There is no safe place for riders.
9. Before backing up, look behind carefully.
10. Never operate tractor and implement under trees with low hanging limbs. Operators can be knocked off the tractor and then run over by the implement.
11. The rotating parts of this machine have been designed and tested for rugged use. However, they could fail upon impact with heavy, solid objects such as steel guard rails and concrete abutments. Such impact could cause the broken objects to be thrown outward at very high velocities. To reduce the possibility of property damage, serious injury, or even death, never allow the spoons to contact such obstacles.
12. Frequently check spoons. They should be sharp, free of nicks and cracks and securely fastened.
13. Stop implement immediately upon striking an obstruction. Turn engine off, remove key, ensure that all moving parts have come to a complete stop, inspect and repair any damage before resuming operation.
14. Stay alert for holes, rocks and roots in the terrain and other hidden hazards. Keep away from drop-offs.
15. Use extreme care and maintain minimum ground speed when transporting on hillside, over rough ground and when operating close to ditches or fences. Be careful when turning sharp corners.
16. Reduce speed on slopes and sharp turns to minimise tipping or loss of control. Be careful when changing directions on slopes. Do not start or stop suddenly on slopes. Avoid operation on steep slopes.
17. When using a unit, a minimum 20% of tractor and equipment weight must be on tractor front wheels. Without this weight, tractor could tip over, causing personal injury or death. The weight may be attained with a front end loader, front wheel weights, ballast in tires or front tractor weights. When attaining a minimum 20% of tractor and equipment weight on the front wheels, you must not exceed the ROPS weight certification. Weigh the tractor and equipment. Do not guess or estimate!
18. Inspect the entire machine periodically². Look for loose fasteners, worn or broken parts, and leaky or loose fittings.
19. Pass diagonally through sharp dips and avoid sharp drops to prevent "hanging up" tractor and implement.
20. Avoid sudden starts and stops while travelling up or downhill.
21. Always cut down slopes; never across the face. Avoid operation on steep slopes. Slow down on sharp turns and slopes to prevent tipping and or loss of control.
22. Comply with all federal, state and local laws during transport on roads.

² See Chapter 4 - Maintenance.

23. Before parking the machine, lower all three foot stands and secure them with the lock pins.

3.02 - Set Up

Notice to dealer: Pre-delivery set up and service including lubrication is the responsibility of the authorised dealer. It is up to him to assure that the machine is in perfect condition and ready to be used. It is his responsibility to ensure that the customer is aware of all safety aspects and operational procedures for the implement. He must also fill out the Pre-Delivery Checklist³ prior to delivering the implement.

3.03 - Pre-Operational Check

IMPORTANT: Check each of the following, carefully, prior to engaging the equipment:

1. The double flanged rotors have been greased.
2. No wrappings or foreign objects are around the implement.
3. The spoons are properly installed and the bolts properly torqued⁴.
4. All hardware is tight.
5. No people or animals are in the work area.

3.04 - Attaching to the Tractor

Models BCA-260 and BCA-272 may be used on tractor up to 70 horsepower and a category 1 or 2 three point hitch.



DANGER: Never attempt to attach the implement to the tractor or make any adjustments to it without first turning the tractor off.



DANGER: Failure to ensure a secure coupling of the implement to the tractor can cause injury and damage to the implement or tractor.

Remove lower hitch pins (**see Parts Manual**) and back tractor up to implement. Once in position set parking brake, shut off engine, and remove key before dismounting to attach implement. Slide lower hitch arms of the tractor between the plates of the lower hitch. Replace lower hitch pins and secure with lynch pin. Attach top link of the tractor to the top of the "A" frame of the implement. Remove the pins (**see Parts Manual**) that retain the support stands and raise support stands. Reinstall the pins.

³ See Chapter 7 - Pre-Delivery Checklist.

⁴ See Table 1, page 17.

3.05 - Start Up



DANGER: Never allow anyone around the implement when it is in operation.



CAUTION: Before starting work, clear the area of any obstacles or foreign objects.



CAUTION: For emergency reasons, learn how to stop the tractor and implement quickly.

Before starting to work, never forget that the **operator is responsible** for the following:

1. Safe and correct driving of the tractor and implement.
2. To learn precise safe operating procedures for both the tractor and the implement.
3. To ensure all maintenance and lubrication has been performed on the implement.
4. To have read and understood all safety aspects for the implement in the operator's manual.
5. To have read and understood all safety decals on the implement.
6. Checking the condition of the spoons. Worn or damaged spoons should be changed before starting.
7. Checking that there is no wire, weed, grass or other material wrapped around spoons.
8. Checking to see if front weights need to be added to the tractor in order to maintain balance.
9. Checking the tractor tires for the proper pressure in accordance with the tractor operator's manual.
10. Making sure the proper attire is worn. Avoiding loose fitting clothing which can become entangled. Wearing sturdy, tough-soled work shoes and protective equipment for eyes, hands, ears and head. Never operate tractor or implements in bare feet, sandals or sneakers.
11. Checking area for stones, branches and other debris that might be thrown.
12. Ensuring proper lighting is available, sunlight or good artificial lighting.

3.06 - Working Speed

Ground speed is determined by the soil condition, depth of aeration and tractor power. Simple experimentation will determine the best speed for the desired results, usually 3 to 8 km/h (2 to 5 mph).

When using the aerator the spoons need to make a continuous pattern, if there is some skipping you need to slow down the ground speed.

3.07 - Operating Techniques

When the headland is reached, it is important that the following be observed:

1. Raise the machine from the ground and as soon as the spoons leave the ground, turn the tractor facing the new desired direction of travel.
2. Begin working again.

NOTE: Best practice dictates that the machine be lifted no more than just enough to clear the ground.

3.08 - Uneven Terrain



DANGER: Be careful of rollover when operating tractor and implement over uneven ground.

The following precautions should always be observed when working on uneven terrain:

1. In extremely uneven terrain rear wheel weights, front tractor weights, and/or tire ballast should be used to improve stability.
2. Observe the type of terrain and develop a safe working pattern.
3. Operate the implement up and down steep slopes, not across slopes, to prevent the tractor from tipping. Avoid sudden stops and starts, slow down before changing directions on a slope.
4. Pass diagonally through sharp dips and avoid sharp drops to prevent hanging up the tractor and implement.
5. Slow down on sharp turns and slopes to prevent tipping or loss of control.
6. Watch for holes, roots or other hidden objects. Do not use near the edge of a gully, ditch or stream bank.

3.09 - Transport



CAUTION: Do not tow tractor and implement behind other vehicles. Use a properly equipped trailer with heavy tie-downs for towing operations.

Before transporting:

1. Always select a safe ground speed that is appropriate for the terrain.
2. Beware of traffic on public roads. Install a SMV (Slow Moving Vehicle) sign when travelling on roads or streets. Comply with all federal, state and local laws.
3. Reduce ground speed when turning and take care that the implement does not strike obstacles such as trees, fences or buildings.

4 - MAINTENANCE



DANGER: Stop engine, lock parking brake and remove key before performing any service or maintenance.

Never rely on the tractor lift system. Install blocks or stands under the implement to prevent it from falling.

Always use personal protection devices, such as glasses or gloves when performing maintenance.

Keep fingers out of slots to prevent injury.

4.01 - Maintenance Safety



1. Good maintenance is your responsibility.
2. Keep service area clean and dry. Be sure electrical outlets and tools are properly grounded. Use adequate light for the job at hand.
3. Make sure there is plenty of ventilation. Never operate the engine of the towing vehicle in a closed building. The exhaust fumes may cause asphyxiation.
4. Make no repair or adjustments with the tractor engine running. Before working on the machine, shut off the engine, set the brakes, and remove the ignition key.
5. Be certain all moving parts on attachment have come to a complete stop before attempting to perform maintenance.
6. Never work under equipment unless it is blocked securely.
7. Always use personal protection devices such as eye, hand and hearing protectors, when performing any service or maintenance.
8. Frequently check spoons. They should be sharp, free of nicks and cracks and securely fastened.
9. Periodically tighten all bolts, nuts and screws and check that all cotter pins are properly installed to ensure unit is in a safe condition.
10. After servicing, be sure all tools, parts and service equipment are removed.
11. Never replace hex bolts with less than grade five bolts unless otherwise specified, i.e. shear bolts⁵.
12. Where replacement parts are necessary for periodic maintenance and servicing, genuine replacement parts must be used to restore your equipment to original specifications. The company will not claim responsibility for use of unapproved parts and/or accessories and other damages as a result of their use.

⁵ Refer to Table 1 - Torque Specifications, page 17.

13. Unauthorised modifications to the machine may impair the function and/or safety of the machine and reduce its life. If equipment has been altered in any way from original design, the manufacturer does not accept any liability for injury or warranty.

4.02 - Service

The chart below gives the frequency of lubrication in hours, based on normal operating conditions. Severe or unusual conditions may require more frequent lubrication.

Use a good quality SAE multipurpose type grease for all locations shown. Be sure to clean fittings thoroughly before using grease gun.

Hourly or whenever an obstacle is hit:

1. Check machine condition, particularly the spoons.
2. Replace any damaged or worn spoon.
3. Remove any wrapping (stalks, weeds, trash, etc.) from rotor.

Every 8 hours:

Grease the double flanged rotor. Apply two or three shots of grease to the rotor.

Every 25 hours:

Hardware tightness: vibration can loosen bolts⁶. Check tightness of the hardware periodically⁷.







Every 50 hours:

Check the spoons for excessive wear or damage. Be sure the rotor turns freely.

⁶ See Table 1, page 17.

⁷ See Table 1, page 17.

TABLE 1 - TORQUE SPECIFICATIONS

Metric (ISO) treaded bolts head marking					Inch (SAE) treaded bolts head marking										
		Class 5.8	Class 8.8	Class 10.9			Grade 2	Grade 5	Grade 8						
Bolt size mm	Thread mm	N.m	ft-lb	N.m	ft-lb	N.m	ft-lb	N.m	ft-lb	N.m	ft-lb				
M5	0.8	4	3	6	4	9	7	1/4"	20	7	5	11	8	16	12
M6	1	6	4	10	7	15	11	1/4"	28	8	6	13	10	19	14
M8	1.25	16	12	25	18	36	27	5/16"	18	15	11	24	17	33	25
M8	1	17	13	26	19	38	28	5/16"	24	17	13	26	19	37	27
M10	1.5	31	23	48	35	71	52	3/8"	16	27	20	42	31	59	44
M10	1.25	33	24	51	38	75	55	3/8"	24	31	23	47	35	67	49
M10	1	35	26	53	39	78	58	7/16"	14	43	32	67	49	95	70
M12	1.75	54	40	84	62	123	91	7/16"	20	48	36	75	55	106	78
M12	1.5	56	41	87	64	128	94	1/2"	13	66	48	102	75	144	106
M12	1.25	59	44	90	66	133	98	1/2"	20	75	55	115	85	163	120
M14	2	84	62	133	98	195	144	9/16"	12	95	70	147	109	208	154
M14	1.5	94	69	142	105	209	154	9/16"	18	106	79	164	121	232	171
M16	2	131	97	206	152	302	223	5/8"	11	132	97	203	150	287	212
M16	1.5	141	104	218	161	320	236	5/8"	18	149	110	230	170	325	240
M18	2.5	181	133	295	218	421	310	3/4"	10	233	172	361	266	509	376
M18	2	196	145	311	229	443	327	3/4"	16	261	192	403	297	569	420
M18	1.5	203	150	327	241	465	343	7/8"	9	226	167	582	430	822	606
M20	2.5	256	189	415	306	592	437	7/8"	14	249	184	642	473	906	668
M20	1.5	288	212	454	335	646	476	1"	8	339	250	873	644	1232	909
M22	2.5	344	254	567	418	807	595	1"	12	371	273	955	704	1348	995
M22	1.5	381	281	613	452	873	644	1-1/8"	7	480	354	1077	794	1746	1288
M24	3	444	327	714	526	1017	750	1-1/8"	12	539	397	1208	891	1958	1445
M24	2	488	360	769	567	1095	808	1-1/4"	7	677	500	1519	1120	2463	1817
M27	3	656	484	1050	774	1496	1103	1-1/4"	12	750	553	1682	1241	2728	2012
M27	2	719	530	1119	825	1594	1176	1-3/8"	6	888	655	1992	1469	3230	2382
M30	3.5	906	668	1420	1047	2033	1499	1-3/8"	12	1011	746	2268	1673	3677	2712
M30	2	1000	738	1600	1180	2250	1659	1-1/2"	6	1179	869	2643	1949	4286	3161
M36	4	1534	1131	2482	1830	3535	2607	1-1/2"	12	1326	978	2974	2194	4823	3557

When using lock washers with nuts, increase torque values by 5%.

TABLE 2 - CORE AERATOR - TECHNICAL FEATURES

For tractors up to 70 HP, 3 point hitch cat. 1 or cat. 2							
Model	Working width cm.	Overall width cm.	Weight Kg.	# of Hubs	# Spoons	Spoon Penetration cm.	Additional Weight Area cm.
BCA-260	149	166	200	5	80	11.4	49 x 55
BCA-272	182	199	250	6	96	11.4	65 x 55

TABLE 3 - OPTIONAL EQUIPMENT

Optional Equipment			
Model	Description	Ballast	# Required
0099734	Steel weight tank (model BCA-260)	Sand Only	2
0099735	Steel weight tank (model BCA-272)	Sand Only	2
0016167	Solid spoon (model BCA-260)	-	80
0016167	Solid spoon (model BCA-272)	-	96

5 - REPAIR PROCEDURES



CAUTION: All repair procedures must be done by authorised dealerships. It is not recommended that untrained individuals perform any repair work.

5.01 - Suggested Spare Parts

It is suggested that the following spare parts be kept on hand for the implement at all times to prevent a minor problem from delaying work.

Description	Quantity
Aerating spoons	6
Spoon bolts	12
Spoon nuts	12

5.02 - Storage

After seasonal use it is important to perform the following for prolonged storage:

1. Wash the implement carefully.
2. Inspect the implement and replace worn or damaged parts.
3. Tighten all hardware.
4. Grease all areas indicated under Maintenance⁸.
5. When placing machine in storage, lower all three foot stand and secure them with the lock pins before lowering the unit to the ground.
6. Cover the implement from the elements in order to have it in perfect condition for the start of the next season.



WARNING: Be sure to store the implement on a hard level surface and away from people especially children.

⁸ See Chapter 4 - Maintenance.

6 - TROUBLESHOOTING



WARNING: Be sure tractor engine is off, parking brake is locked, and key is removed before making any adjustments.

PROBLEM	POSSIBLE CAUSE	SOLUTION
Spoons become bent sideways.	Implement not raised properly prior to turning.	Raise implement so that the spoons do not come in contact with the ground when turning.
Spoons won't penetrate ground surface.	Soil condition is extremely packed. "A" frame of tractor may be lowered too far thus not allowing the spoons to carry the weight of the machine Spoons may be clogged.	Run sprinkler over desired working area to moisten the soil. Use of optional weight cans filled with sand mounted on top of your unit. Raise three point so that unit operates near parallel with ground. Properly clean spoons prior to use.
Frame and/or spoons bending.	Unit may have been damaged due to use over a concrete surface.	Do not operate over hard surfaces. Ensure working area is free of solid objects like stumps, rocks, etc.

7 - PRE-DELIVERY CHECKLIST

To the dealer: Inspect the machine thoroughly after assembly to assure it is functioning properly before delivering it to the customer. The following checklist is a reminder of points to cover. Check off each item as it is found satisfactory or after proper adjustment is made.

- Guards and shield properly fastened.
- Lubrication of grease fittings.
- All hardware properly tightened.
- All decals properly located and readable (**see fig. 2**).
- Spoons properly installed, bolts and nuts tightened.
- Overall condition (touch up scratches, clean and polish).
- Test run, check for excessive vibration or overheating of bearings.
- Operator's Manual.

Review the Operator's Manual with the customer. Explain the following:

- Warranty.
- Safe operation and service.
- Correct machine installation and operation.
- Daily and periodic lubrication, maintenance and inspections.
- Troubleshooting.
- Operational procedures and storage.
- Parts and service.
- Fill out the Pre-Delivery Checklist and Warranty Registration form.
- Give customer the Operator's Manual and encourage the customer to read the manual carefully.

IMPORTANT: Warranty is not valid unless Pre-Delivery Checklist and Warranty Registration Form in operator's manual is completed in detail and mailed to the Company.

Model Number: _____

Serial Number: _____

Delivery Date: _____

Dealer's Signature: _____

8 - WARRANTY

The Company warrants its machine from defects in material and workmanship. The machines are warranted from the invoice date for the following periods.

1. **24 months** for private use.
2. **12 months** for commercial, contractual and public use.
3. **30 days** for loan or rental.

This warranty is valid only if the Warranty Registration Form is properly completed and sent to the Company within 14 days of delivery along with copy of the invoice.

This warranty is valid only if the machine is paid for in full.

The warranty coverage shall not be transferable from the first owner to any subsequent owner.

This document is the only warranty for this machine, any other promises, express or implied other than those set forth herein are not applicable.

The customer can not request any special provisions or changes to this warranty covering additional responsibilities or liability from the Company.

The Company determines whether the warranty covers the substitution or the repairing of the machine or parts.

The customer is responsible, in all cases, for expenses of lubricants, transportation, any custom duties and applicable taxes.

The substitution or the repair of parts under warranty do not extend the length of said warranty.

This limited warranty does not apply to and excludes drivelines and driveline related safety devices (shear pin yokes, shear pins, slip clutches, clutch discs), tires, belts, blades and other wear items.

At no time will the responsibility of the Company surpass the original purchase price of the machine. The purchaser agrees, not to have any rights to any compensation from the Company, including but not limited to, any eventual damages or accidents, loss of profit, loss of sales, injuries or damages of any kind or nature, or other accidents or losses which could result.

If during the period covered by this warranty, the machine fails to perform due to material or workmanship defects, the purchaser is to immediately make the Company aware of this defect. It is the Company's right to determine if the machine is to have parts replaced, repaired or the machine returned.

The Company will not accept any returned items without prior express written authorisation.

This warranty does not cover cost of labour for the replacement of parts.

Misuse or use of this machine other than ways outlined in the operator's manual or literature invalidates this warranty.

All obligations of the Company under this limited warranty shall be terminated if original parts of this machine have been modified or altered in any way, the machine has been repaired by unauthorised dealers, or when unauthorised spare parts have been used.

The Company reserves the right to modify or update machines without the obligation of modifying or updating previously sold machines.

Venue: Any judgements will be decided by the Verona Court.

EC Declaration of Conformity

according to Directive 98/37/EC

We

ROTOMECC spa
Via Molino di Sopra, 56
37054 Nogara (Verona), Italy

declare under our sole responsibility, that the product:

Core Aerator**Model** _____ **Serial Nr.** _____

to which this declaration relates corresponds to the relevant basic safety and health requirements of the Directive 98/37/EC.

For the relevant implementation of the safety and health requirements mentioned in the Directives, the following standards were consulted: EN 13684:2004 - EN 1553:1999.

National and International Requirements: ISO 11684:1995.

Pio G. Figna
Chief Executive Officer

Nogara, _____

WARRANTY REGISTRATION

ROTOMECC spa

Via Molino di Sopra, 56

37054 Nogara (Verona) - Italy

Tel.: +39-0442-510400 - Fax: +39-0442-510038

Dealer	Acct. #	Retail Customer
Street	Country	Street
Town	State Zip	Town State Zip
Date of delivery	Invoice #	Phone
Model #	Serial #	Date
<p>Pre-Delivery Checklist:</p> <p><input type="checkbox"/> Oil in gearbox.</p> <p><input type="checkbox"/> Greased fittings.</p> <p><input type="checkbox"/> Safety guards in place.</p> <p><input type="checkbox"/> All hardware tight.</p> <p><input type="checkbox"/> Bolts torqued correctly.</p> <p><input type="checkbox"/> Attached unit to tractor. Yes/No.</p> <p><input type="checkbox"/> Field adjusted. Yes/No.</p> <p><input type="checkbox"/> Test run. Dry/Infield.</p> <p><input type="checkbox"/> Safety decals.</p> <p><input type="checkbox"/> Operator's Manual.</p> <p>The machine described above, has been prepared for delivery according to the Pre-Delivery Check List and the Customer has been instructed in its care and operation and the condition of warranty.</p>		<p>Tractor make: _____</p> <p>Model: _____; HP _____</p> <p>Type of operation: Schools Maintenance, Landscaper, Commercial Maintenance, Golf Course, Municipality, Turf Farm, Others: _____</p> <p>Approximate number of acres the machine will be used on annually: _____</p> <p>I hereby acknowledge that: I have received and accepted delivery of the machine described. The equipment was checked thoroughly for loose or missing parts and has been adjusted in accordance with the Pre-Delivery Checklist. I have read and understand the nature and extent of the warranty and understand clearly that there were and are no other representations of warranties either expressed or implied, made by anyone. I have been advised on proper operation, maintenance and lubrication procedure of this equipment. I have been instructed on and do understand the application, limitation and capacities this equipment was designed and recommended for, all as described in the Operator's Manual and literature published by Rotomecc.</p>
Inspected by: _____		
Date: _____		Date: _____
Dealer's Signature: _____		Customer's Signature: _____

This registration along with a copy of the invoice must be sent to Rotomecc spa within 14 days of date of purchase.

Sender:

Fold here

*Place stamp
here*

ROTOMECC spa
Via Molino di Sopra, 56
37054 Nogara (VR)
ITALY

Cut along this line



Use only original spare parts

All rights reserved. It is unlawful to copy, reprint or use any of the information or details in this manual without the expressed written permission of the Company. Technical information provided in this manual is approximate, the Company reserves the right to modify or improve the models shown for technical or commercial purposes. Pictures in this manual do not necessarily show the machine as delivered.

ROTOMECSpa

Via Molino di Sopra, 56
37054 Nogara (VR), Italy

Tel.: +39.0442.510400 - Fax: +39.0442.510038

www.rotomec.com

