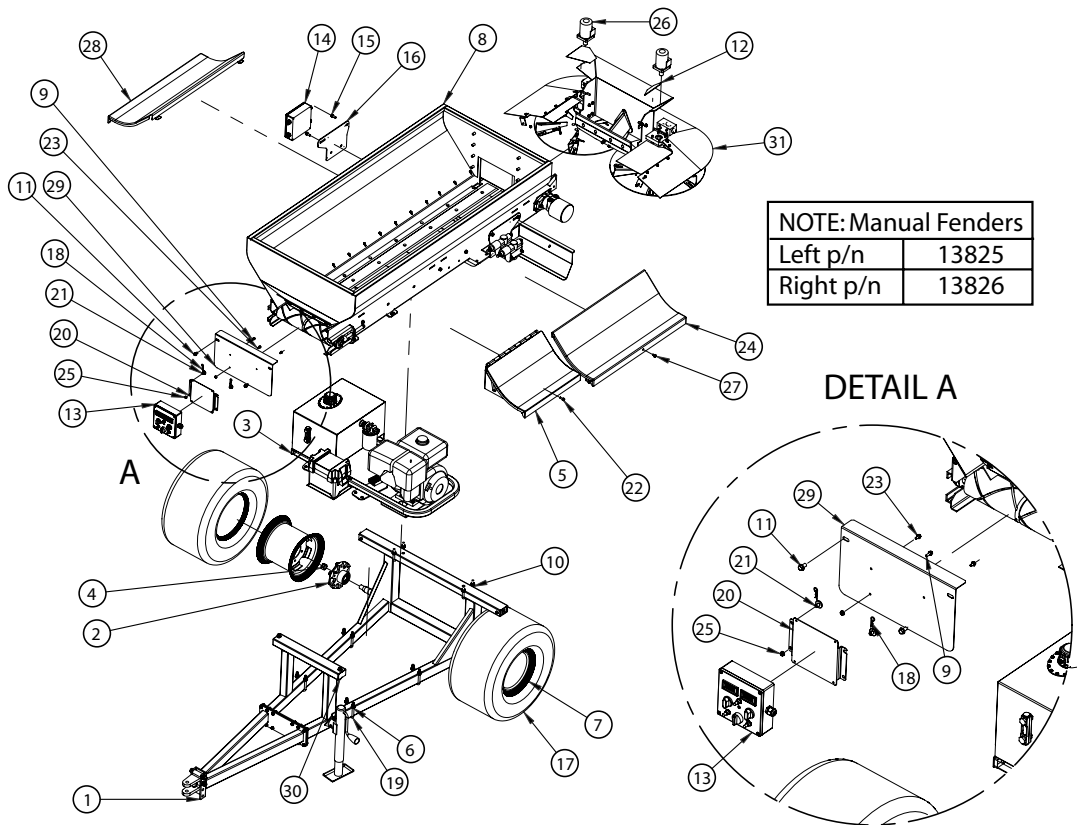


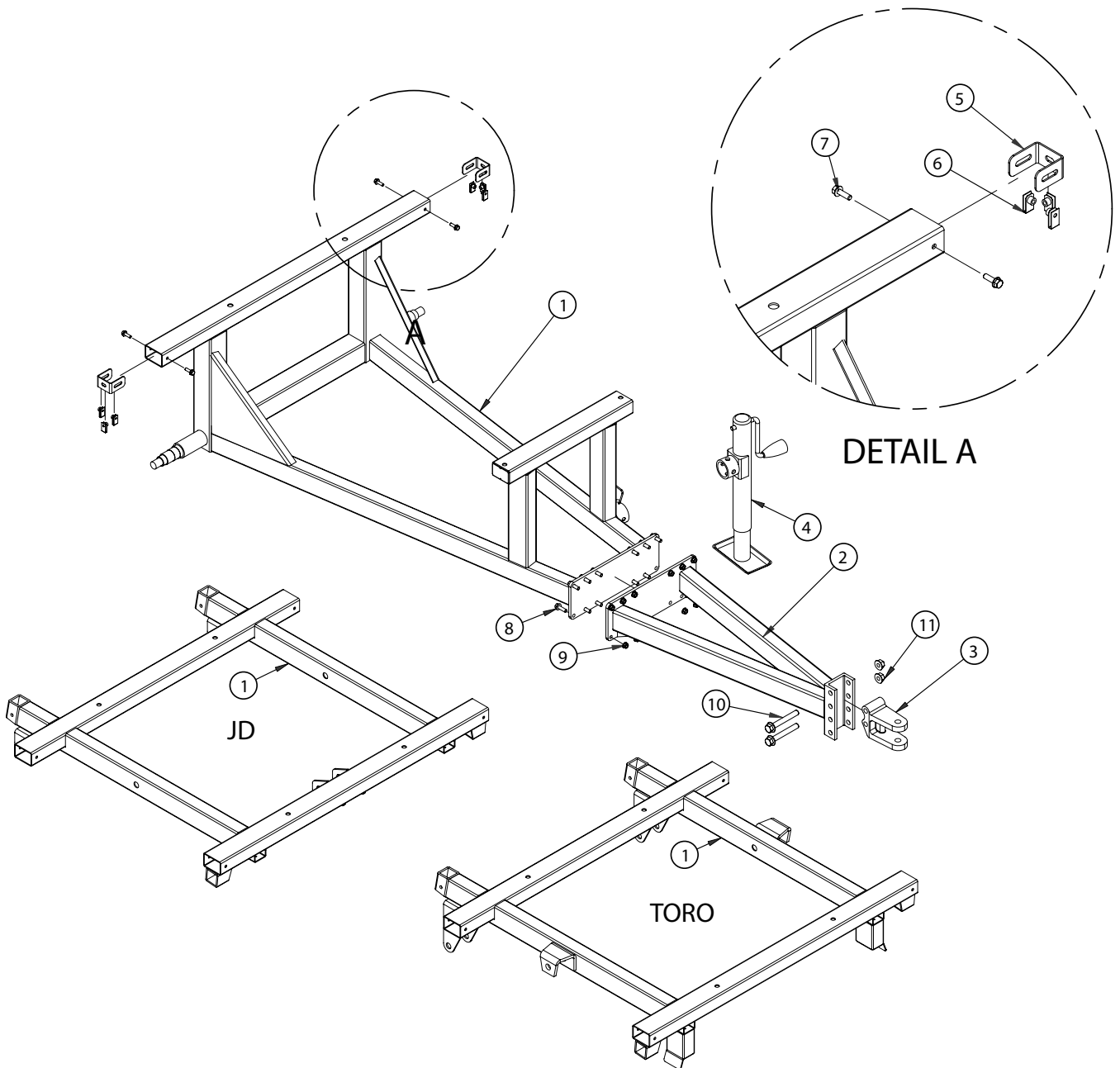
# FULL MACHINE 410



NOTE: Manual Fenders	
Left p/n	13825
Right p/n	13826

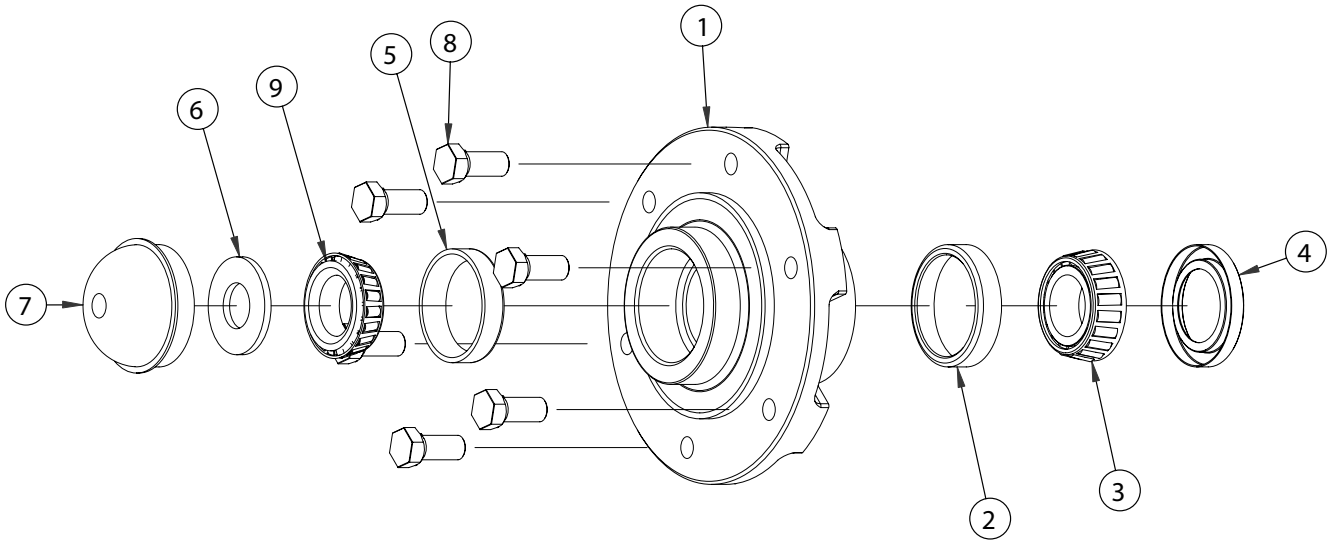
Ref.	Description	410 p/n	410 (JD) p/n	410 (TORO) p/n
1	Frame Assembly	14305	14314	14315
2	Hub, Idler Assembly	10050	N/A	N/A
3	Power Package	14022	N/A	N/A
4	Nut, Castle	4D14	N/A	N/A
5	Hood Assembly	13937	N/A	N/A
6	Nut, Flanged	89D08	89D08	89D08
7	Wheel	10051	N/A	N/A
8	Hopper	14062	14062	14062
9	Screw, Flange Head	35C0412	35C0412	35C0412
10	U-Bolt	10189	10189	10189
11	Screw, Flange Head	35C0612	35C0612	35C0612
12	Strip, Filler	10374	10374	10374
13	Control Box	14061	14061	14061
14	Auxillary Control Box	13846	13846	13846
15	Screw, Flange Head	35C0616	35C0616	35C0616
16	Bracket, Box Mount	14094	14094	14094
17	Tire	10052	N/A	N/A
18	Pin, Hitch Clip	10301	10301	10301
19	U-Bolt	10186	N/A	N/A
20	Bracket, Mount	14023	14023	14023
21	Mount, Control Box	10317	10317	10317
22	Bolt, Flange Head	35C0516	N/A	N/A
23	Screw, Flange Head	35C0412	35C0412	35C0412
24	Fender - Left Side	13805	13811	13811
25	Nut, Flanged	89D04	89D04	89D04
26	Motor, Hydraulic	10018	10018	10018
27	Screw, Flange Head	35C0510	35C0510	35C0510
28	Fender - Right Side	13806	13812	13812
29	Front Shield	11615	11033	11033
30	Screw, Flange Head	35C0848	35C0848	35C0848
31	Spinner Assembly	13804	13804	13804

# FRAME ASSEMBLY 410



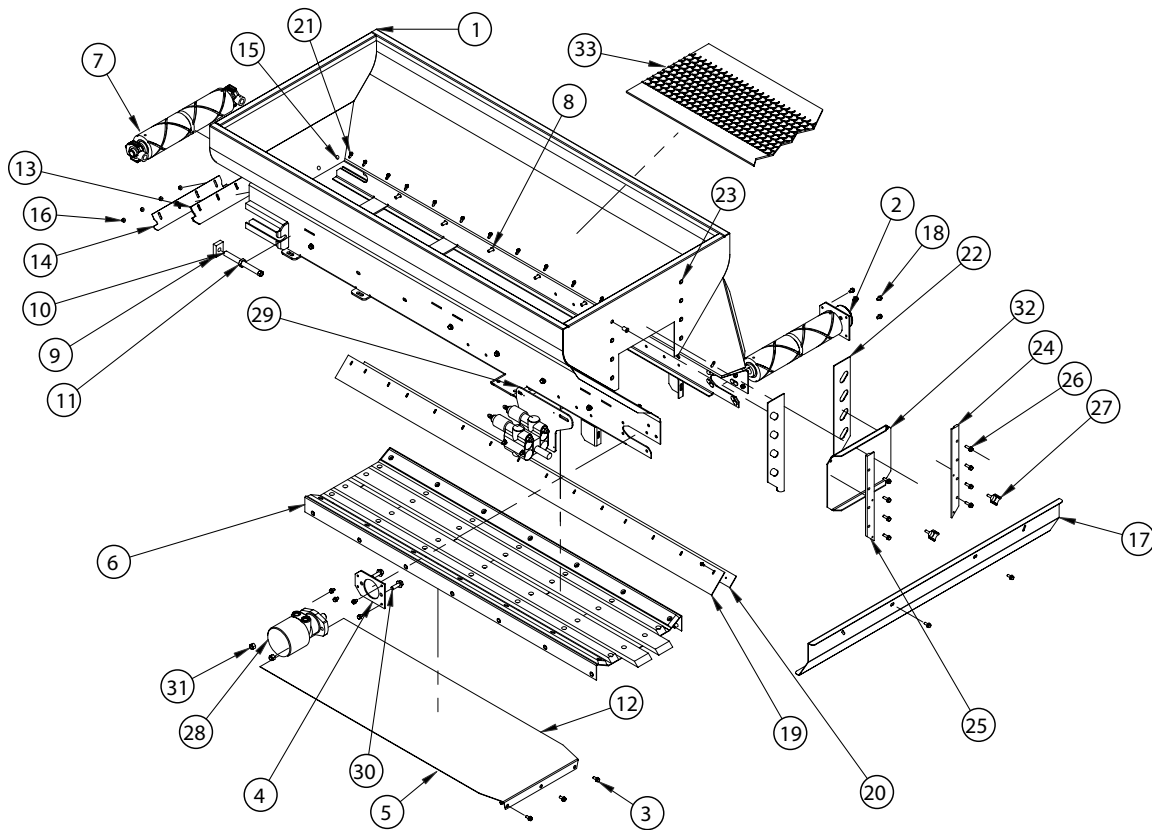
Ref.	Description	410 p/n	410 (JD) p/n	410 (TORO) p/n
1	Frame	13772	14013	13815
2	Tow Bar	11582	N/A	N/A
3	Hitch, Clevis	10004	N/A	N/A
4	Jack, Side Swivel	10003	N/A	N/A
5	Bracket, Mount	11840	11840	11840
6	Nut, Speed	11841	11841	11841
7	Screw, Flange Head	35C0516	35C0516	35C0516
8	Screw, Flange Head	35C0620	N/A	N/A
9	Nut, Flanged	89D06	N/A	N/A
10	Bolt, Flange Head	35C1072	N/A	N/A
11	Nut, Flanged	89D10	N/A	N/A

# WHEEL HUB 410



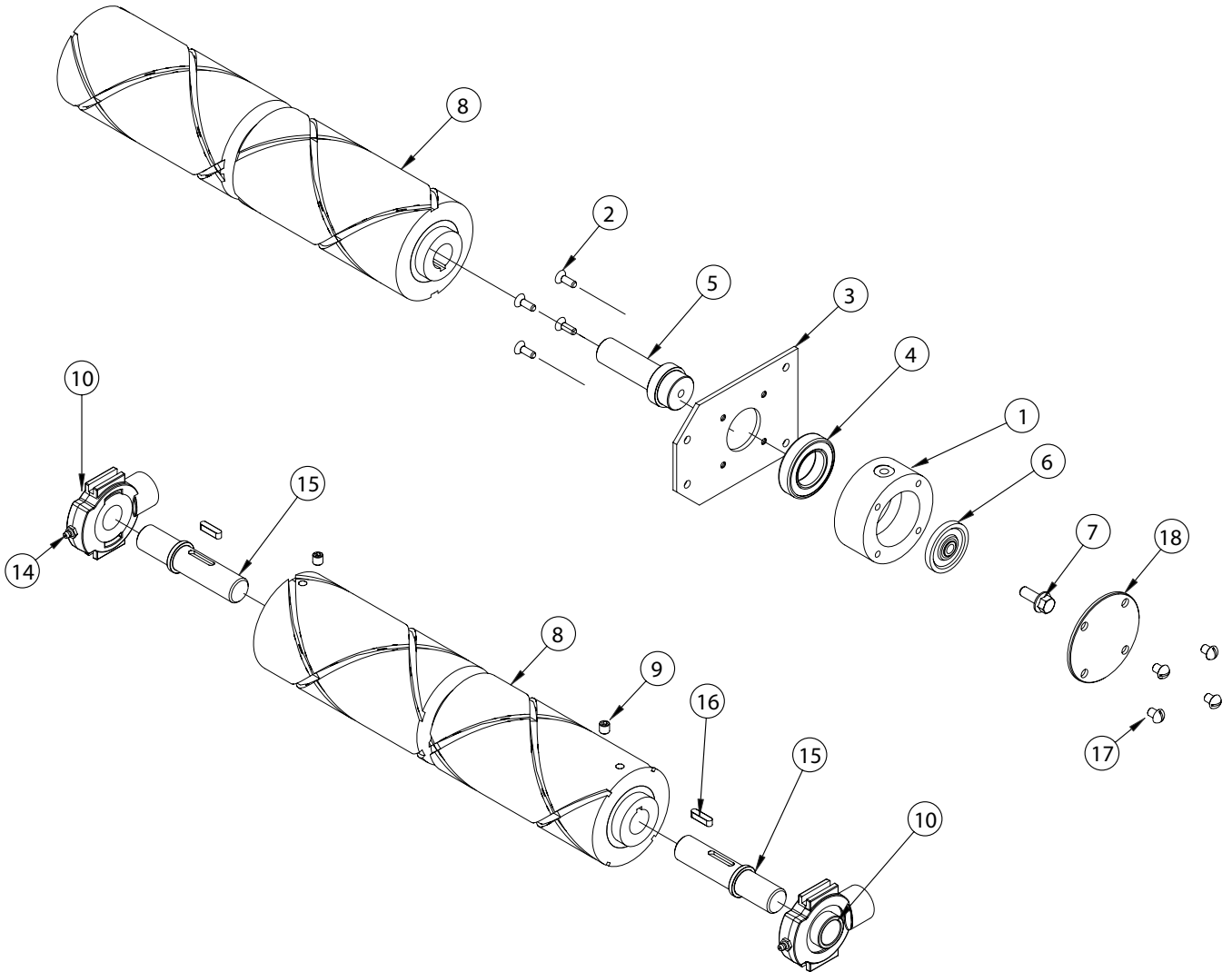
Ref.	Description	410 p/n	410 (JD) p/n	410 (TORO) p/n
1	Hub	12659	N/A	N/A
2	Cup, Inner	10203	N/A	N/A
3	Bearing, Inner	10205	N/A	N/A
4	Seal	10208	N/A	N/A
5	Cup, Outer	10204	N/A	N/A
6	Washer	27E14	N/A	N/A
7	Hub Cap	10207	N/A	N/A
8	Lug Bolt	10209	N/A	N/A
9	Bearing, Outer	10206	N/A	N/A

# HOPPER ASSEMBLY 410



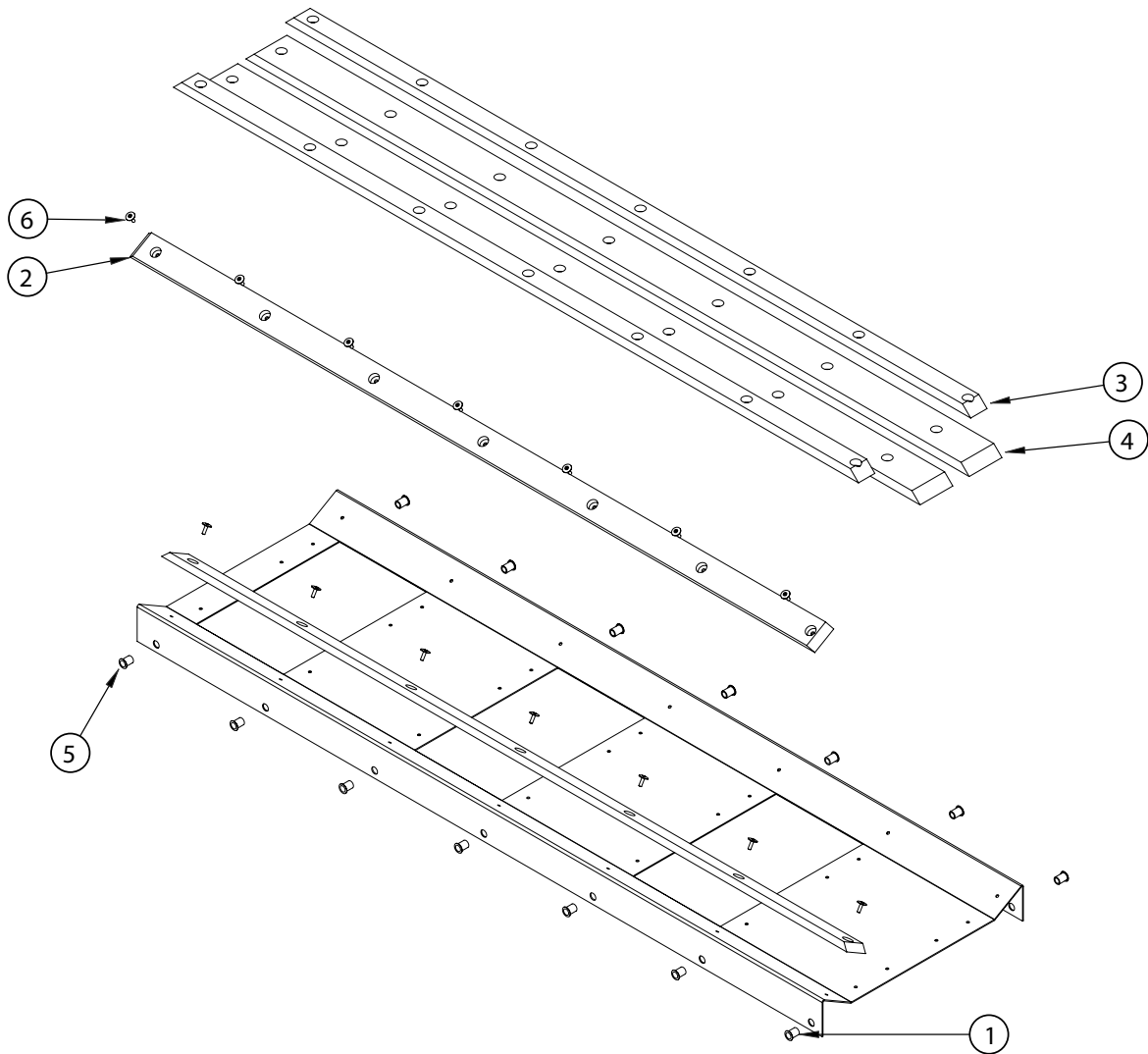
Ref.	Description	410 p/n	410 (JD) p/n	410 (TORO) p/n
1	Hopper	13709	13709	13709
2	Roller Assembly	13889	13889	13889
3	Screw, Flange Head	35C0512	35C0512	35C0512
4	Plate, Motor Mount	13769	13769	13769
5	Nut	89D05	89D05	89D05
6	Conveyor Pan Assembly	10876	10876	10876
7	Front Roller Assembly	10291	10291	10291
8	Screw, Flange Head	35C0616	35C0616	35C0616
9	Nut, Belt Adjuster	10015	10015	10015
10	Adjustment Screw	10016	10016	10016
11	Nut, Jam	7D12	7D12	7D12
12	Panel, Belly Pan	11637	11637	11637
13	Seal, Front End	13479	13479	13479
14	Plate, Seal Backer	13478	13478	13478
15	Bolt	10C0412	10C0412	10C0412
16	Nut, Flange	89D04	89D04	89D04
17	Shield, Rear	10009	10009	10009
18	Cap Screw, Hex Head	35C0508	35C0508	35C0508
19	Wiper, Rubber	13535	13535	13535
20	Retainer, Wiper	13534	13534	13534
21	Bolt	SS84G2516	SS84G2516	SS84G2516
22	Seal, Rear Door	13553	13553	13553
23	Rivnut	11570	11570	11570
24	Track, Rear Door RH	13367	13367	13367
25	Track, Rear Door LH	13368	13368	13368
26	Bolt	35C0516	35C0516	35C0516
27	Knob, Rear Door Lock	10012	10012	10012
28	Motor, Conveyor	10201	10201	10201
29	Valve Assembly	14043	14043	14043
30	Screw, Flange Head	35C0824	35C0824	35C0824
31	Nut, Nylock	59D08	59D08	59D08
32	Panel, Rear Flow Door	14469	14469	14469
33	Belt	13587	13587	13587

# DRIVE ROLLERS 410



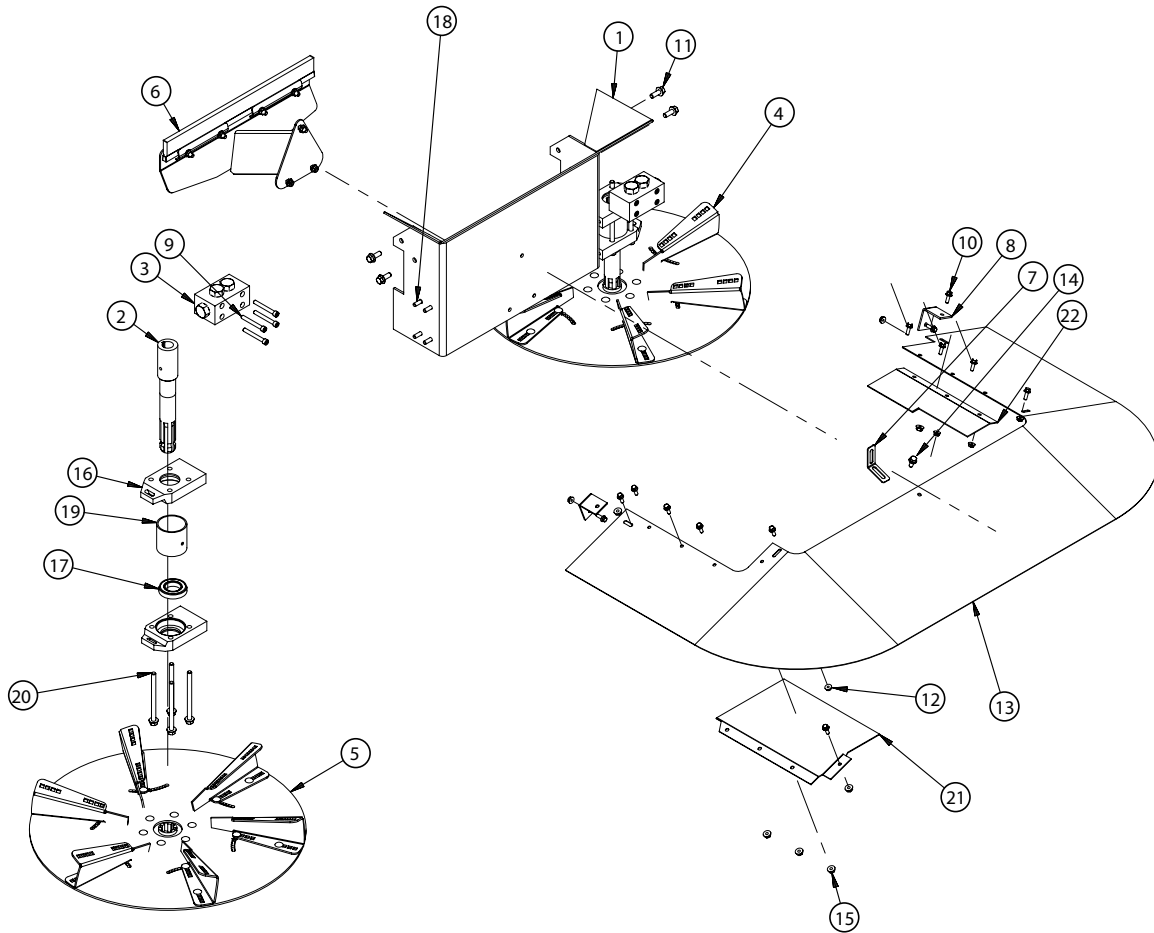
Ref.	Description	410 p/n	410 (JD) p/n	410 (TORO) p/n
1	Bearing Mount	13887	13887	13887
2	Screw, Countersunk	9G0512	9G0512	9G0512
3	Plate, Bearing Mount	13768	13768	13768
4	Bearing	13255	13255	13255
5	Roller Insert	13212	13212	13212
6	Magnetic Wheel	14216	14216	14216
7	Screw, Flange Head	35C0616	35C0616	35C0616
8	Roller, Main Conveyor	13211	13211	13211
9	Set Screw	15G0606	15G0606	15G0606
10	Bearing Assembly	13035	13035	13035
11	Coupler, Drive Roller	10036	10036	10036
12	Guard	10037	10037	10037
13	Chain Coupler	10035	10035	10035
14	Grease Fitting	10H25	10H25	10H25
15	Roller Insert	13213	13213	13213
16	Key	7J3016	7J3016	7J3016
17	Screw	14097	14097	14097
18	Cover	13706	13706	13706

# CONVEYOR 410



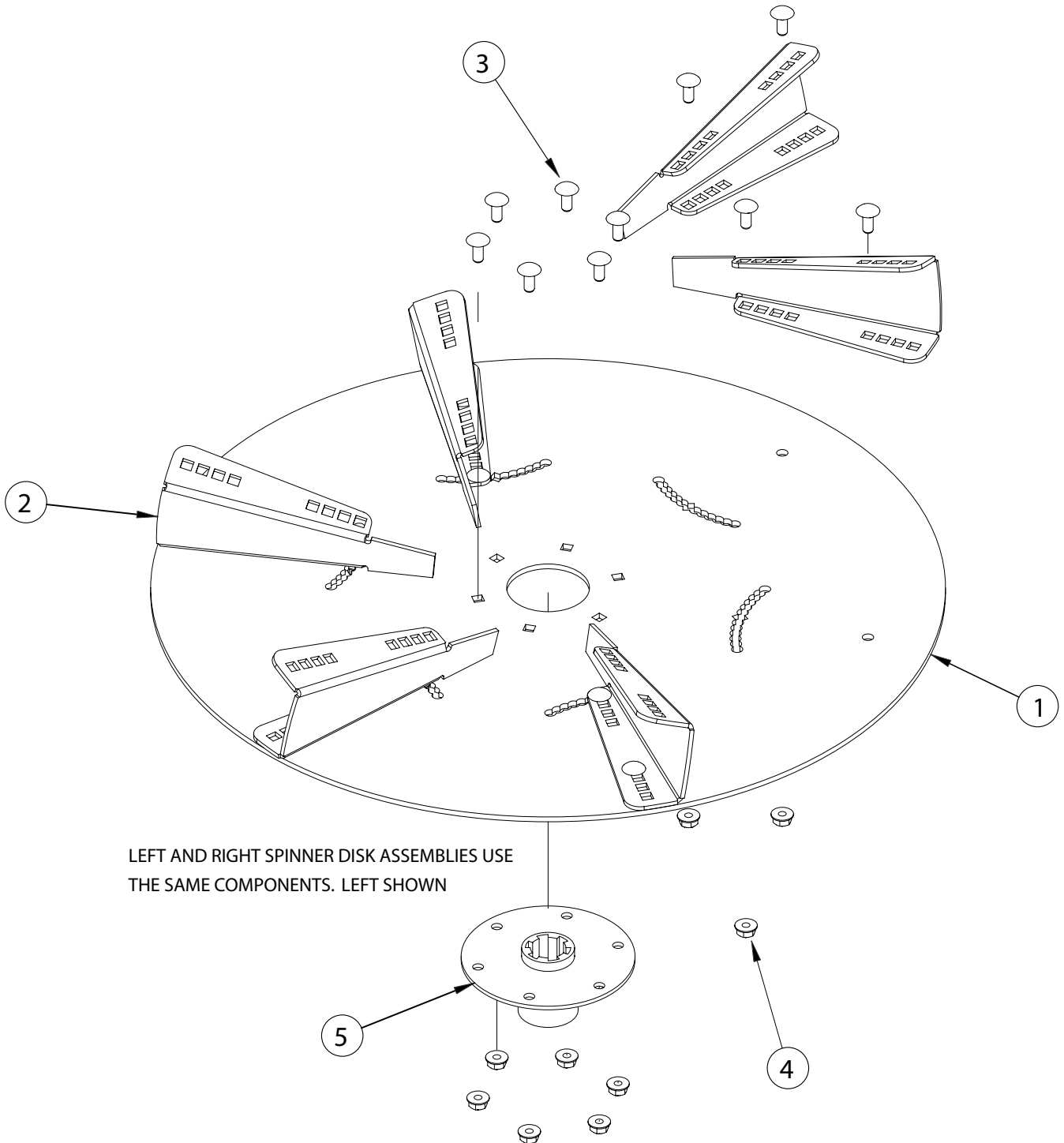
Ref.	Description	410 p/n	410 (JD) p/n	410 (TORO) p/n
1	Panel, Conveyor Floor	10877	10877	10877
2	Strip, Belt Support	11610	11610	11610
3	Strip, Belt Support	10880	10880	10880
4	Strip, Belt Support	10879	10879	10879
5	Rivnut	11569	11569	11569
6	Rivet	10289	11683	10289

# SPINNER ASSEMBLY 410



Ref.	Description	410 p/n	410 (JD) p/n	410 (TORO) p/n
1	Spinner Chute	13802	13802	13802
2	Spinner Shaft	10020	10020	10020
3	Bypass Valve	10019	10019	10019
4	Assy, Disk White RH	12546	12546	12546
5	Assy, Disk White LH	12545	12545	12545
6	Assy, Brush	11645	11645	11645
7	Brace, Spinner Shield	12194	12194	12194
8	Shield Mount	10379	10379	10379
9	Screw, Socket Head	73G0540	73G0540	73G0540
10	Screw, Flange Head	35C0412	35C0412	35C0412
11	Screw, Flange Head	45C616	45C616	45C616
12	Nut, Flange Head	89D04	89D04	89D04
13	Spinner Shield	14100	14100	14100
14	Screw, Flange Head	35C0512	35C0512	35C0512
15	Nut, Flange Head	55D05	55D05	55D05
16	Holder, Spinner Motor	13251	13251	13251
17	Bearing	13255	13255	13255
18	Screw, Flange Head	35C0516	35C0516	35C0516
19	Tube, Spinner Bearing	13256	13256	13256
20	Screw, Flange Head	35C0620	35C0620	35C0620
21	Plate, Filler Shield LH	14101	14101	14101
22	Plate, Filler Shield RH	10361	10361	10361

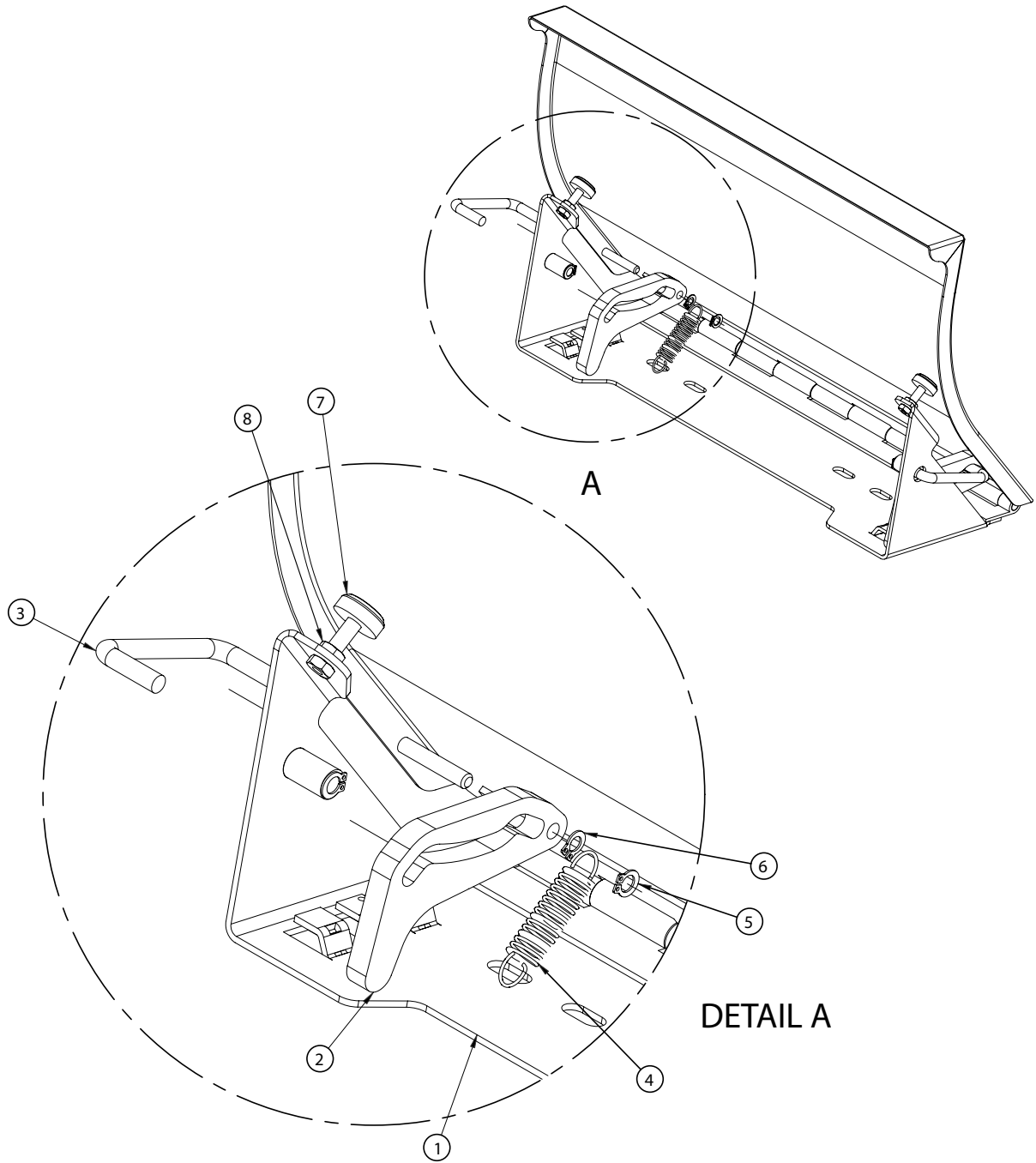
# SPINNER 410



Ref.	Description	410 p/n	410 (JD) p/n	410 (TORO) p/n
1	Spinner Disk	12543	12543	12543
2	Blade, Spinner	12539	12539	12539
3	Bolt, Carrage	10C0512	10C0512	10C0512
4	Nut, Flange Head	55D05	55D05	55D05
5	Hub	13954	13954	13954

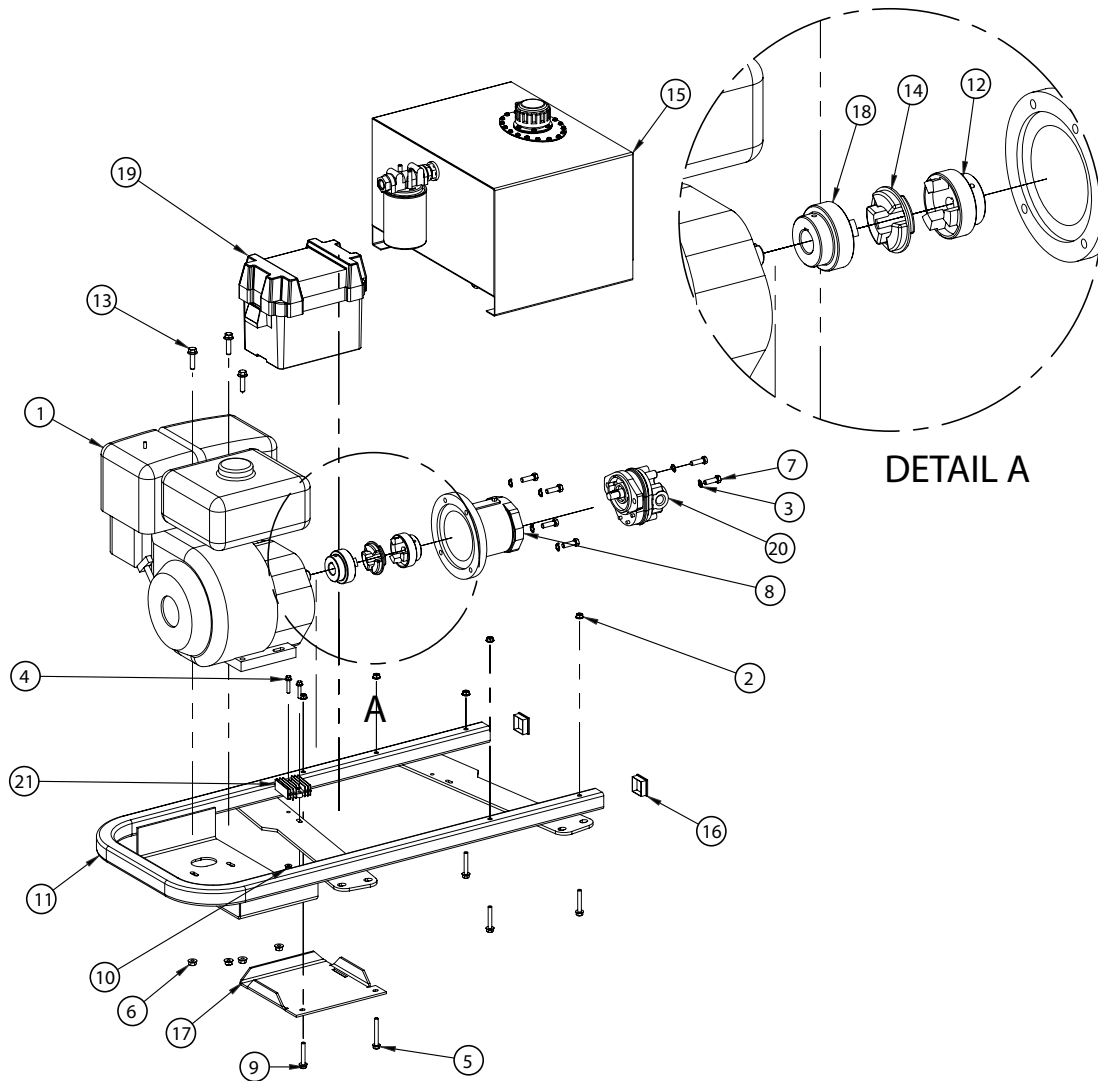


# HOOD ASSEMBLY 410



Ref.	Description	410 p/n	410 (JD) p/n	410 (TORO) p/n
1	Hood	13936	13936	13936
2	Cam, Hood	12063	12063	12063
3	Hood Latch	12065	12065	12065
4	Spring, Extension	12072	12072	12072
5	Snap Ring	12069	12069	12069
6	Snap Ring	12070	12070	12070
7	Bumper, Rubber	12068	12068	12068
8	Spring, Extension	7D05	7D05	7D05

# ENGINE PACKAGE 410



Ref.	Description	410 p/n	410 (JD) p/n	410 (TORO) p/n
1	Honda Engine	11729	11729	11729
2	Nut	89D05	89D05	89D05
3	Washer, Lock	26E06	26E06	26E06
4	Screw, Flange Head	35C0420	35C0420	35C0420
5	Bolt	35C0540	35C0540	35C0540
6	Nut	89D06	89D06	89D06
7	Bolt	1C0620	1C0620	1C0620
8	Mount, Pump	10202	10202	10202
9	Screw, Flange Head	35C0532	35C0532	35C0532
10	Nut	83D04	83D04	83D04
11	Engine Frame	11728	11728	11728
12	Coupler, Half	11731	11731	11731
13	Screw, Flange Head	35C0620	35C0620	35C0620
14	Insert	10590	10590	10590
15	Hydraulic Tank	11669	11669	11669
16	Plug, End Cap	11730	11730	11730
17	Bracket, Battery Box	11621	11621	11621
18	Coupler	10589	10589	10589
19	Box, Battery	11661	11661	11661
20	Pump	11673	11673	11673
21	Rectifier	11944	11944	11944